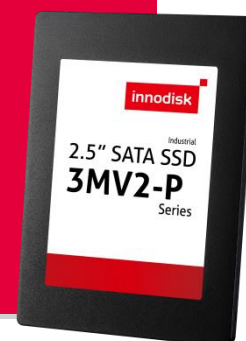


Datasheet

InnoREC™ series

2.5" SATA SSD 3MV2-P

- InnoREC solution for surveillance application
- 7mm height mechanical design
- Exclusive REC line for video recording
- ensures steady performance without any frame-loss
- Built-in thermal sensor
- Support S.M.A.R.T, TRIM, NCQ and iData Guard



Introduction

InnoREC is innodisk's proprietary flash feature set designed specifically for surveillance applications. Through the smart integration of firmware and hardware, the speed and performance required by modern surveillance solutions is fully met. 2.5" SATA SSD 3MV2-P products provide high capacity flash memory Solid State Drive (SSD) that electrically complies with Serial ATA (SATA) standard. It supports SATA III standard (6.0GHz) with high performance and supports several features, including REC line, iData Guard, iCell, Quick Erase, Thermal sensor, passive cooling and S.M.A.R.T.

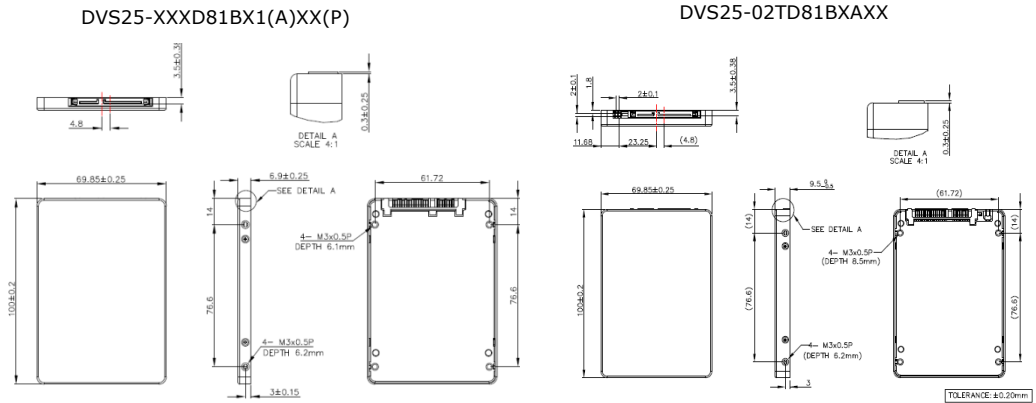
2.5" SATA SSD

3MV2-P series

Drawing

Contact us for more information about the 2.5" SATA SSD 3MV2-P

Innodisk is a service-driven provider of industrial embedded flash and DRAM storage products and technologies, with a focus on the industrial/embedded, aerospace and defense, and cloud computing industries.



Specifications

Interface	SATA III
Flash Type	MLC
Flash P/E Cycle Limit	3,000
Capacity	8GB~2TB
Max. Channels	4
Sequential R/W (MB/sec, max.)	520/450 (steady performance refer to TPS)
Max. Power Consumption	5.78 W (5V x 1155 mA)
Thermal Sensor	Supported
External DRAM Buffer	Supported
H/W Write Protect	Optional
S/W Write Protect	Supported
Quick Erase	Supported
ATA Security	Supported
S.M.A.R.T.	Supported
Dimension (WxLxH)	69.85 X 100.00 X 6.9 mm/69.85 X 100.00 X 9.5 mm
Environment	Vibration: 20G @ 7~2000Hz Shock: 1500G @ 0.5ms Storage Temperature: -55°C ~ +95°C MTBF: 3 million hours

Headquarters (Taiwan)

5F., No.237, Sec. 1, Datong Rd.,
Xizhi Dist., New Taipei City,
Taiwan (R.O.C.)
Tel: +886-2-77033000
Email: sales@innodisk.com

Branch Offices:

USA
usasales@innodisk.com
+1-510-770-9421
Europe
eusales@innodisk.com
+31-40-3045-400
Japan
jpsales@innodisk.com
+81-3-6667-0161
China
sales_cn@innodisk.com
+86-755-21673689
www.innodisk.com

© 2017 Innodisk Corporation.
All right reserved. Specifications
are subject to change without
prior notice.

Ordering Information

20170616

Operation Temp.	8GB	16GB	32GB	64GB	128GB	256GB	512GB	1TB	2TB
Standard Grade (0°C ~ +70°C)	DVS25-08GD81B C1SC	DVS25-16GD81B C1DC	DVS25-32GD81B C1QC	DVS25-64GD81B C1QC	DVS25-A28D81B C1QC	DVS25-B56D81B C1QC	DVS25-C12D81 BC1QC	DVS25-01TD81 BCAQC	DVS25-02TD81 BCAQC
Industrial Grade (-40°C ~ +85°C)	DVS25-08GD81B W1SC	DVS25-16GD81B W1DC	DVS25-32GD81B W1QC	DVS25-64GD81B W1QC	DVS25-A28D81B W1QC	DVS25-B56D81B W1QC	DVS25-C12D81 BW1QC	DVS25-01TD81 BWAQC	DVS25-02TD81 BWAQC

innodisk

www.innodisk.com

2.5" SATA SSD

InnoREC™ 3MV2-P

Customer: _____

Customer

Part

Number: _____

Innodisk

Part

Number: _____

Innodisk

Model Name: _____

Date: _____

Innodisk Approver	Customer Approver

**Total Solution For
Industrial Flash Storage**

Table of contents

LIST OF FIGURES	6
1. PRODUCT OVERVIEW	7
1.1 INTRODUCTION OF INNOREC 2.5" SATA SSD 3MV2-P	7
1.2 PRODUCT VIEW AND MODELS	7
1.3 SATA INTERFACE	8
1.4 2.5-INCH FORM FACTOR	8
2. PRODUCT SPECIFICATIONS.....	9
2.1 CAPACITY AND DEVICE PARAMETERS.....	9
2.2 PERFORMANCE	9
2.3 ELECTRICAL SPECIFICATIONS	11
2.3.1 Power Requirement	11
2.3.2 Power Consumption.....	11
2.4 ENVIRONMENTAL SPECIFICATIONS	11
2.4.1 Temperature Ranges	11
2.4.2 Humidity.....	11
2.4.3 Shock and Vibration.....	11
2.4.4 Mean Time between Failures (MTBF).....	12
2.5 CE AND FCC COMPATIBILITY	12
2.6 RoHS COMPLIANCE	12
2.7 RELIABILITY.....	12
2.8 TRANSFER MODE	13
2.9 PIN ASSIGNMENT	13
2.10 MECHANICAL DIMENSIONS	14
2.11 ASSEMBLY WEIGHT	15
2.12 SEEK TIME	15
2.13 HOT PLUG.....	15
2.14 NAND FLASH MEMORY	15
3. THEORY OF OPERATION	16
3.1 OVERVIEW	16
3.2 SATA III CONTROLLER	16
3.3 REC LINE	16
3.4 ERROR DETECTION AND CORRECTION.....	17
3.5 WEAR-LEVELING	17
3.6 BAD BLOCKS MANAGEMENT.....	17
3.7 iDATA GUARD.....	17
3.8 GARBAGE COLLECTION/TRIM.....	17
3.9 iCELL TECHNOLOGY (OPTIONAL)	18

3.10 THERMAL SENSOR	18
3.11 PASSIVE COOLING	18
3.12 QUICK ERASE	18
3.12.1 Quick Erase Command	18
4. INSTALLATION REQUIREMENTS	20
4.1 2.5" SATA SSD 3MV2-P PIN DIRECTIONS	20
4.2 ELECTRICAL CONNECTIONS FOR 2.5" SATA SSD 3MV2-P	20
4.3 FORM FACTOR	20
4.4 DEVICE DRIVE	21
5. SMART FEATURE SET	22
5.1 SMART ATTRIBUTES	22
6. PART NUMBER RULE	24

REVISION HISTORY

Revision	Description	Date
Rev 1.0	First Released	May, 2017
Rev 1.1	Update Performance Update CF/FCC Certification	June, 2017
Rev 1.2	Update steady performance and test condition	August, 2017
Rev 1.3	Modify Quick erase function	Aug.,2018
Rev 1.4	Add TRIM Note Update RoHS report	Apr, 2019

List of Tables

TABLE 1: DEVICE PARAMETERS	9
TABLE 2: PERFORMANCE	9
TABLE 3: INNODISK 2.5" SATA SSD 3MV2-P POWER REQUIREMENT	11
TABLE 4: POWER CONSUMPTION	11
TABLE 5: TEMPERATURE RANGE FOR 2.5" SATA SSD 3MV2-P	11
TABLE 6: SHOCK/VIBRATION TESTING FOR 2.5" SATA SSD 3MV2-P	11
TABLE 7: 2.5" SATA SSD 3MV2-P MTBF	12
TABLE 8: INNODISK 2.5" SATA SSD 3MV2-P PIN ASSIGNMENT	13
TABLE 9: EXECUTE QUICK ERASE COMMAND FOR INPUTS INFORMATION	18
TABLE 10: QUICK ERASE COMMAND FOR NORMAL OUTPUT INFORMATION	19
TABLE 11: QUICK ERASE TIME *	19

List of Figures

FIGURE 1: INNODISK 2.5" SATA SSD 3MV2-P	7
FIGURE 2: INNODISK 2.5" SATA SSD 3MV2-P BLOCK DIAGRAM	16
FIGURE 3: SIGNAL SEGMENT AND POWER SEGMENT	20
FIGURE 4: 2.5" SATA SSD 3MV2-P MECHANICAL SCREW HOLE.....	21

1. Product Overview

1.1 Introduction of InnoREC 2.5" SATA SSD 3MV2-P

InnoREC is innodisk's proprietary flash feature set designed specifically for surveillance applications. Through the smart integration of firmware and hardware, the speed and performance required by modern surveillance solutions is fully met. 2.5" SATA SSD 3MV2-P products provide high capacity flash memory Solid State Drive (SSD) that electrically complies with Serial ATA (SATA) standard. It supports SATA III standard (6.0GHz) with high performance and supports several features, including REC line, iData Guard, iCell, Quick Erase, Thermal sensor, passive cooling and S.M.A.R.T.

CAUTION *TRIM must be enabled.*

TRIM enables SSD's controller to skip invalid data instead of moving. It can free up significant amount of resources, extends the lifespan of SSD by reducing erase, and write cycles on the SSD. Innodisk's handling of garbage collection along with TRIM command improves write performance on SSDs.

1.2 Product View and Models

Innodisk 2.5" SATA SSD 3MV2-P is available in follow capacities:

- | | |
|---------------------------|----------------------------|
| 2.5" SATA SSD 3MV2-P 8GB | 2.5" SATA SSD 3MV2-P 128GB |
| 2.5" SATA SSD 3MV2-P 16GB | 2.5" SATA SSD 3MV2-P 256GB |
| 2.5" SATA SSD 3MV2-P 32GB | 2.5" SATA SSD 3MV2-P 512GB |
| 2.5" SATA SSD 3MV2-P 64GB | 2.5" SATA SSD 3MV2-P 1TB |
| 2.5" SATA SSD 3MV2-P 2TB | |



Figure 1: Innodisk 2.5" SATA SSD 3MV2-P

1.3 SATA Interface

Innodisk 2.5" SATA SSD 3MV2-P supports SATA III interface, and compliant with SATA I and SATA II. SATA III interface can work with Serial Attached SCSI (SAS) host system, which is used in server computer. Innodisk 2.5" SATA SSD 3MV2-P is compliant with Serial ATA Gen 1, Gen 2 and Gen 3 specification (Gen 3 supports 1.5Gbps /3.0Gbps/6.0Gbps data rate). SATA connector uses a 7-pin signal segment and a 15-pin power segment.

1.4 2.5-inch Form Factor

The Industry-standard 2.5-inch form factor design with metal material case is easy for installation, which has a compact design 69.85mm (W) x 100.00mm (L) x 6.90mm (H)/ 70.00mm (W) x100.00mm (L) x 6.80mm (H)/69.85mm (W) x 100.00mm (L) x 9.50mm (H).

2. Product Specifications

2.1 Capacity and Device Parameters

2.5" SATA SSD 3MV2-P device parameters are shown in Table 1.

Table 1: Device parameters

Capacity	LBA	Cylinders	Heads	Sectors	User Capacity(MB)
8GB	13695696	13587	16	63	6687
16GB	29323728	16383	16	63	14318
32GB	60579792	16383	16	63	29580
64GB	121138416	16383	16	63	59150
128GB	242255664	16383	16	63	118289
256GB	484490160	16383	16	63	236567
512GB	968959152	16383	16	63	473124
1TB	1937897136	16383	16	63	946238
2TB	3875733504	16383	16	63	1892448

2.2 Performance

Burst Transfer Rate: 6.0Gbps

Table 2: Performance

Sequential Read and Write Performance

Specification (max.)	Sequential Read (SATA 6Gb/s)	Sequential Write (SATA 6Gb/s)
Unit	MB/s	MB/s
8GB (1CH)	140	25
16GB (2CH)	270	45
32GB (4CH)	520	90
64GB (4CH)	520	180
128GB (4CH)	520	350
256GB (4CH)	520	350
512GB (4CH)	520	450
1TB (4CH)	520	450
2TB (4CH)	440	420

Note:

1. Sequential performance measured using out-of-box SSD.
2. Performance measured using CrystalDiskMark 5.05 with file size 1000M of Queue Depth 32

Steady Sequential Write Performance

Specification	Sequential Write (SATA 6Gb/s)
Unit	MB/s
8GB (1CH)	23
16GB (2CH)	35
32GB (4CH)	80
64GB (4CH)	155
128GB (4CH)	300
256GB (4CH)	340
512GB (4CH)	435
1TB (4CH)	425
2TB (4CH)	425

Note:

1. Steady write performance measured using Vdbench 5.02.
2. SSD is separated by two areas, 50% is full of random data and 50% is full of sequential data.
3. Sequential write performance measurements are performed on writing 30% random data and then 70% sequential data in SSD.
4. The testing loop is running 70 cycles to reach steady performance.

Random Read and Write Performance

Specification	Random Read (SATA 6Gb/s)	Random Write (SATA 6Gb/s)
Unit	IOPS	IOPS
8GB (1CH)	14000	6400
16GB (2CH)	27000	11500
32GB (4CH)	52000	23000
64GB (4CH)	75000	46000
128GB (4CH)	75000	80000
256GB (4CH)	75000	83000
512GB (4CH)	75000	76000
1TB (4CH)	75000	78000
2TB (4CH)	12000	15600

Note:

1. Sequential performance measured using out-of-box SSD.
2. Performance measured using CrystalDiskMark 5.05 with file size 1000M of Queue Depth 32

2.3 Electrical Specifications

2.3.1 Power Requirement

Table 3: Innodisk 2.5" SATA SSD 3MV2-P Power Requirement

Item	Symbol	Rating	Unit
Input voltage	V _{IN}	+5 DC +- 5%	V

2.3.2 Power Consumption

Table 4: Power Consumption

Mode	Power Consumption
Read	122 mA (max.)
Write	429 mA (max.)
Idle	84 mA (max.)
DEVSLP Mode	3mW (min.)
Slumber Mode	30mW (min.)

* Target: 2.5" SATA SSD 3MV2-P 256GB

Mode	Power Consumption
Read	708 mA (max.)
Write	1155 mA (max.)
Idle	374 mA (max.)

* Target: 2.5" SATA SSD 3MV2-P 2TB

2.4 Environmental Specifications

2.4.1 Temperature Ranges

Table 5: Temperature range for 2.5" SATA SSD 3MV2-P

Temperature	Range
Operating	Standard Grade: 0°C to +70°C
	Industrial Grade: -40°C to +85°C
Storage	-55°C to +95°C

2.4.2 Humidity

Relative Humidity: 10-95%, non-condensing

2.4.3 Shock and Vibration

Table 6: Shock/Vibration Testing for 2.5" SATA SSD 3MV2-P

Reliability	Test Conditions	Reference Standards
Vibration	7 Hz to 2K Hz, 20G, 3 axes	IEC 68-2-6
Mechanical Shock	Duration: 0.5ms, 1500 G, 3 axes	IEC 68-2-27

2.4.4 Mean Time between Failures (MTBF)

Table 7 summarizes the MTBF prediction results for various 2.5" SATA SSD 3MV2-P configurations. The analysis was performed using a RAM Commander™ failure rate prediction.

- **Failure Rate:** The total number of failures within an item population, divided by the total number of life units expended by that population, during a particular measurement interval under stated condition.
- **Mean Time between Failures (MTBF):** A basic measure of reliability for repairable items: The mean number of life units during which all parts of the item perform within their specified limits, during a particular measurement interval under stated conditions.

Table 7: 2.5" SATA SSD 3MV2-P MTBF

Product	Condition	MTBF (Hours)
Innodisk 2.5" SATA SSD 3MV2-P	Telcordia SR-332 GB, 25°C	>3,000,000

2.5 CE and FCC Compatibility

2.5" SATA SSD 3MV2-P conforms to CE and FCC requirements.

2.6 RoHS Compliance

2.5" SATA SSD 3MV2-P is fully compliant with RoHS directive.

2.7 Reliability

Parameter	Value	
Read Cycles	Unlimited Read Cycles	
Flash endurance	3,000 P/E cycles	
Wear-Leveling Algorithm	Support	
Bad Blocks Management	Support	
Error Correct Code	Support	
TBW* (Total Bytes Written) Unit:TB		
Capacity	Sequential workload	Client workload
08GB	21.3	9.4
16GB	42.6	18.8
32GB	85.2	37.5
64GB	170.5	75
128GB	340.9	150
256GB	681.8	300
512GB	1364	600
1TB	2663	1172
2TB	5327	2344
*Note:		
1. Sequential: Mainly sequential write, tested by Vdbench.		
2. Client: Follow JESD218 Test method and JESD219A Workload, tested by ULINK. (The capacity lower than 64GB client workload is not specified in JEDEC219A, the values are estimated.)		
3. Based on out-of-box performance.		

2.8 Transfer Mode

2.5" SATA SSD 3MV2-P support following transfer mode:

Serial ATA III 6.0Gbps

Serial ATA II 3.0Gbps

Serial ATA I 1.5Gbps

2.9 Pin Assignment

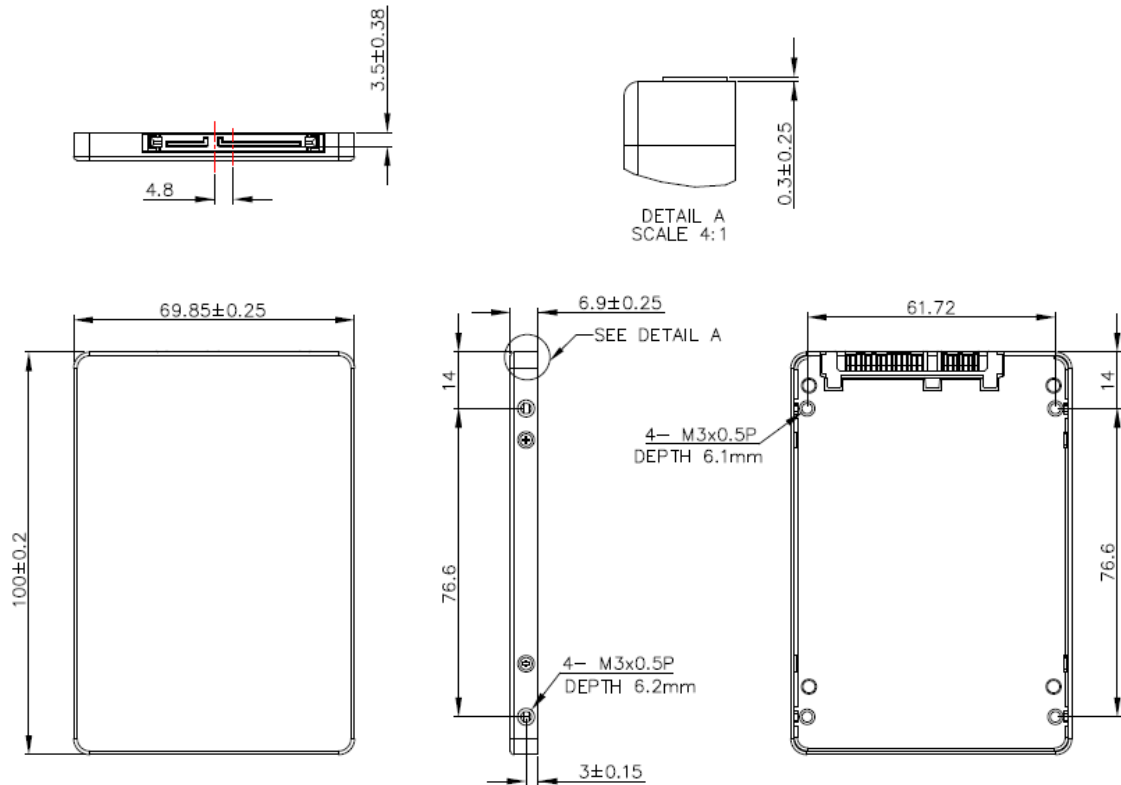
Innodisk 2.5" SATA SSD 3MV2-P uses a standard SATA pin-out. See Table 8 for 2.5" SATA SSD 3MV2-P pin assignment.

Table 8: Innodisk 2.5" SATA SSD 3MV2-P Pin Assignment

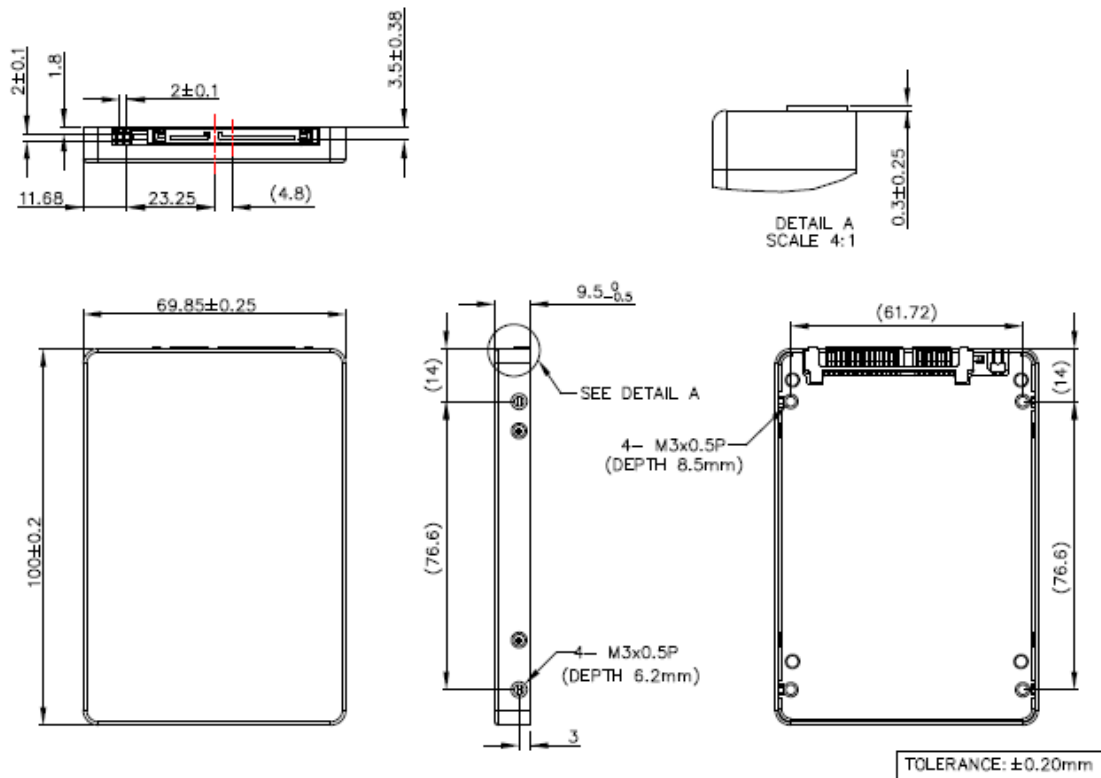
Name	Type	Description
S1	GND	NA
S2	A+	Differential Signal Pair A
S3	A-	
S4	GND	NA
S5	B-	Differential Signal Pair B
S6	B+	
S7	GND	NA
Key and Spacing separate signal and power segments		
P1	NC	NA
P2	NC	NA
P3	NC	NA
P4	GND	NA
P5	GND	NA
P6	GND	NA
P7	V5	5V Power, Pre-Charge
P8	V5	5V Power
P9	V5	5V Power
P10	GND	NA
P11	DAS/DSS	Device Activity Signal / Disable Staggered
P12	GND	NA
P13	NC	NA
P14	NC	NA
P15	NC	NA

2.10 Mechanical Dimensions

* DVS25-XXXD81BX1(A)XX(P)



*DVS25-02TD81BXAXX



2.11 Assembly Weight

An Innodisk 2.5" SATA SSD 3MV2-P within MLC flash ICs, 2TB's weight is 90 grams approx.

2.12 Seek Time

Innodisk 2.5" SATA SSD 3MV2-P is not a magnetic rotating design. There is no seek or rotational latency required.

2.13 Hot Plug

The SSD support hot plug function and can be removed or plugged-in during operation. User has to avoid hot plugging the SSD which is configured as boot device and installed operation system.

Surprise hot plug : The insertion of a SATA device into a backplane (combine signal and power) that has power present. The device powers up and initiates an OOB sequence.

Surprise hot removal: The removal of a SATA device from a powered backplane, without first being placed in a quiescent state.

2.14 NAND Flash Memory

Innodisk 2.5" SATA SSD 3MV2-P uses Multi Level Cell (MLC) NAND flash memory, which is non-volatility, high reliability and high speed memory storage.

3. Theory of Operation

3.1 Overview

Figure 2 shows the operation of Innodisk 2.5" SATA SSD 3MV2-P from the system level, including the major hardware blocks.

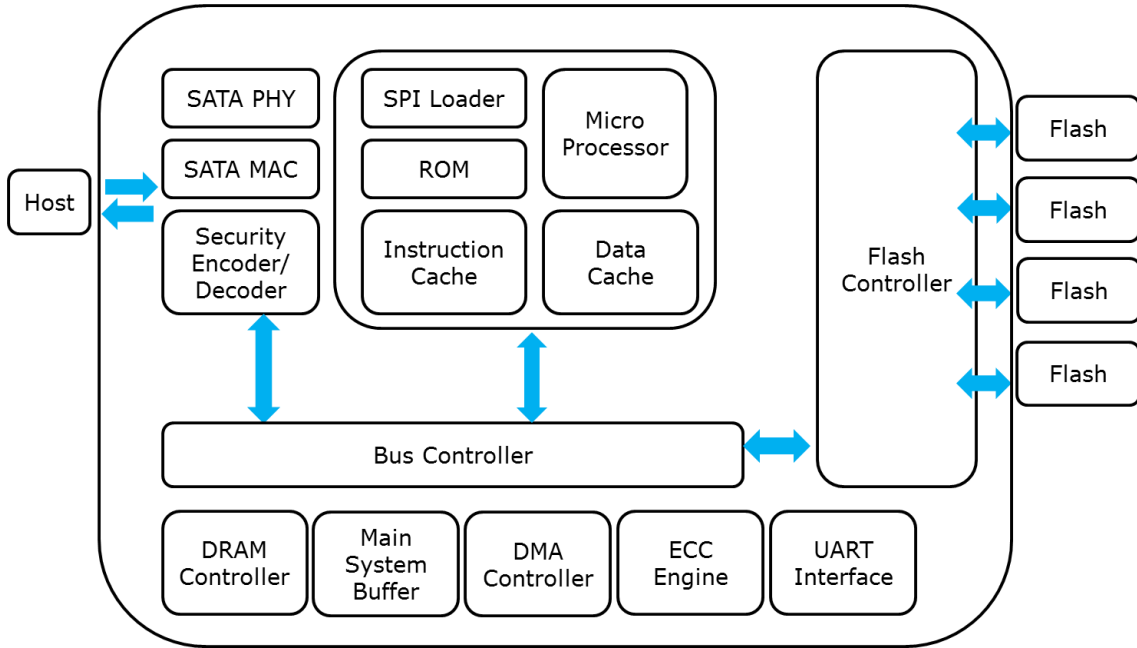


Figure 2: Innodisk 2.5" SATA SSD 3MV2-P Block Diagram

Innodisk 2.5" SATA SSD 3MV2-P integrates a SATA III controller and NAND flash memories. Communication with the host occurs through the host interface, using the standard ATA protocol. Communication with the flash device(s) occurs through the flash interface.

* iCell is optional feature with different part number.

3.2 SATA III Controller

Innodisk 2.5" SATA SSD 3MV2-P is designed with ID 201, a SATA III 6.0Gbps (Gen. 3) controller, which supports external DDR3 DRAM. The Serial ATA physical, link and transport layers are compliant with Serial ATA Gen 1, Gen 2 and Gen 3 specification (Gen 3 supports 1.5Gbps/3.0Gbps/6.0Gbps data rate). The controller has 4 channels for flash interface.

3.3 REC Line

REC Line is the exclusive firmware algorithm for video recording that ensures steady performance without any frame-loss.

3.4 Error Detection and Correction

Highly sophisticated Error Correction Code algorithms are implemented. The ECC unit consists of the Parity Unit (parity-byte generation) and the Syndrome Unit (syndrome-byte computation). This unit implements an algorithm that can correct 66 bits per 1024 bytes in an ECC block. Code-byte generation during write operations, as well as error detection during read operation, is implemented on the fly without any speed penalties.

3.5 Wear-Leveling

Flash memory can be erased within a limited number of times. This number is called the **erase cycle limit** or **write endurance limit** and is defined by the flash array vendor. The erase cycle limit applies to each individual erase block in the flash device.

Innodisk 2.5" SATA SSD 3MV2-P uses a static wear-leveling algorithm to ensure that consecutive writes of a specific sector are not written physically to the same page/block in the flash. This spreads flash media usage evenly across all pages, thereby extending flash lifetime.

3.6 Bad Blocks Management

Bad Blocks are blocks that contain one or more invalid bits whose reliability are not guaranteed. The Bad Blocks may be presented while the SSD is shipped, or may develop during the life time of the SSD. When the Bad Blocks is detected, it will be flagged, and not be used anymore. The SSD implement Bad Blocks management, Bad Blocks replacement, Error Correct Code to avoid data error occurred. The functions will be enabled automatically to transfer data from Bad Blocks to spare blocks, and correct error bit.

3.7 iData Guard

Innodisk's iData Guard is a comprehensive data protection mechanism that functions before and after a sudden power outage to SSD. Low-power detection terminates data writing before an abnormal power-off, while table-remapping after power-on deletes corrupt data and maintains data integrity. Innodisk's iData Guard provides effective power cycling management, preventing data stored in flash from degrading with use.

3.8 Garbage Collection/TRIM

Garbage collection and TRIM technology is used to maintain data consistency and perform continual data cleansing on SSDs. It runs as a background process, freeing up valuable controller resources while sorting good data into available blocks, and deleting bad blocks. It also significantly reduces write operations to the drive, thereby increasing the SSD's speed and lifespan.

3.9 iCell Technology (Optional)

iCell circuit is designed with several capacitors to be able to provide power after host power off. The SSD controller can write all DRAM buffer data to flash, so that is why 2.5" SATA SSD 3MV2-P can ensure all data can be written to disk without any data loss.

3.10 Thermal Sensor

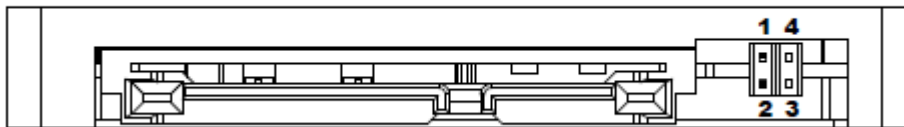
When the surveillance system threatens to overheat, an immediate warning is issued. The SSD will automatically adjusting the transmission frequency to ensure continued performance and reliability.

3.11 Passive Cooling

The SSD layout is design for maximum heat dissipation by using copper to separate the controller and flash. This reduces the thermal conductivity rate to ensure performance and enhance data retention.

3.12 Quick Erase

Quick Erase function is designed for emergency data erase in few seconds by providing ATA command or shorting QEraser Pins (Pin 1 and Pin 2) with an external jumper to erase all of data block.



3.12.1 Quick Erase Command

- Protocol: No Data

-Inputs

Table 9: Execute Quick Erase command for inputs information

Register	7	6	5	4	3	2	1	0
Features	21h							
Sector Count	41h							
LBA Low	Na							
LBA Mid	Na							
LBA High	Na							
Device	1	1	1	0	Na			
Command	82h							

-Normal Outputs

Table 10: Quick Erase command for normal output information

Register	7	6	5	4	3	2	1	0
Error	Na							
Sector Count	Na							
LBA Low	Na							
LBA Mid	Na							
LBA High	Na							
Device	obs	Na	obs	DEV	Na	Na	Na	Na
Status	BSY	DRDY	DF	Na	DRQ	Na	Na	ERR

Device register-

DEV shall specify the selected device.

Status register

BSY will be cleared to zero indicating command completion

DRDY will be set to one.

DF (Device Fault) will be cleared to zero.

DRQ will be cleared to zero

ERR will be cleared to zero.

Table 11: Quick Erase time *

Capacity	Time
8GB	5 Sec.
16GB (1CH)	10 Sec.
16GB (2CH)	5 Sec.
32GB (2CH)	11 Sec.
32GB (4CH)	5 Sec.
64GB	6 Sec.
128GB	7 Sec.
256GB	13 Sec.
512GB	17 Sec.
1TB	34 Sec.

*Note: Based on Asrock H97M anniversary platform.

4. Installation Requirements

4.1 2.5" SATA SSD 3MV2-P Pin Directions

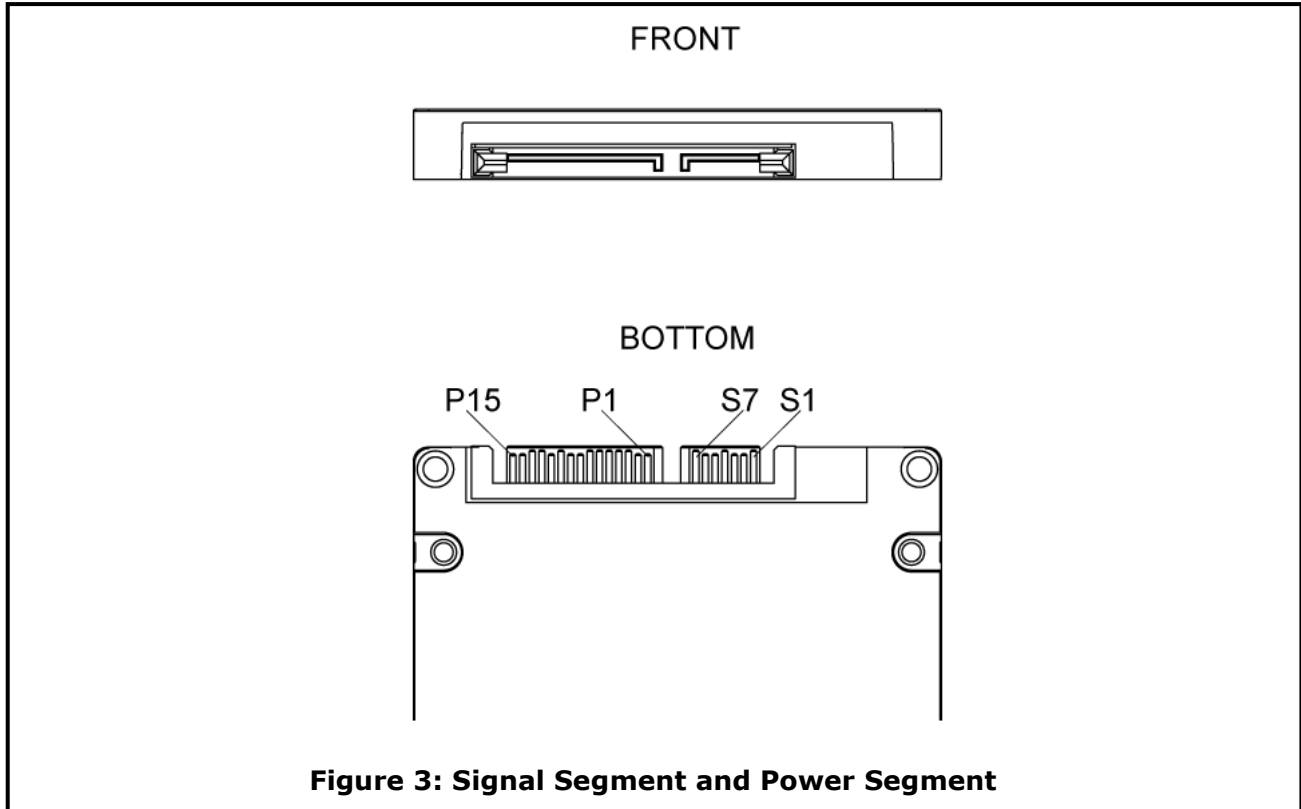


Figure 3: Signal Segment and Power Segment

4.2 Electrical Connections for 2.5" SATA SSD 3MV2-P

A Serial ATA device may be either directly connected to a host or connected to a host through a cable. For connection via cable, the cable should be no longer than 1 meter. The SATA interface has a separate connector for the power supply. Please refer to the pin description for further details.

4.3 Form Factor

Please prepare following things:

- Screw driver.
- Four M3 screws. (Suggested torque value 2.0 ~ 2.5 Kgf.cm)
- SATA single cable (7-pin, Maximum length 1 meter).
- SATA power cable (15-pin).

Please turn off your computer, and open your computer's case. Find one of available 2.5-inch slot, and plug the SSD in. To use the screws fix the SSD. Plug in the SATA single cable, and power cable. Please boot the installation Operation System from CD-ROM, and install Operation System into SSD.

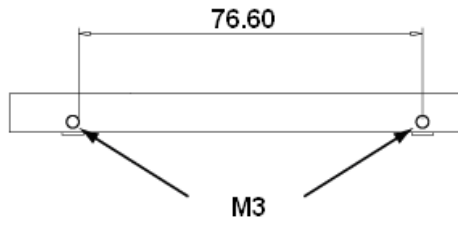


Figure 4: 2.5" SATA SSD 3MV2-P Mechanical Screw Hole

4.4 Device Drive

No additional device drives are required. Innodisk 2.5" SATA SSD 3MV2-P can be configured as a boot device.

5. SMART Feature Set

Innodisk 3MV2-P series support the SMART command set and defines some vendor-specific data to report SMART attributes of SSD.

Value	Command
D0h	Read Data
D1h	Read Attribute Threshold
D2h	Enable/Disable Autosave
D3h	Save Attribute Values
D4h	Execute OFF-LINE Immediate
D5h	Read Log
D6h	Return Status
D8h	Enable SMART Operations
D9h	Disable SMART Operations
DAh	Return Status

5.1 SMART Attributes

Innodisk 3MV2-P series SMART data attributes are listed in following table.

Attribute ID (hex)	Raw Attribute Value							Attribute Name
	MSB							
1 (01h)	MSB	00	00	00	00	00	00	Raw Read Error Rate
5 (05h)	LSB	MSB	00	00	00	00	00	Reallocated Sector Count
9 (09h)	LSB			MSB	00	00	00	Power-on Hours
12 (0Ch)	LSB			MSB	00	00	00	Power Cycle Count
160 (A0h)	LSB			MSB	00	00	00	Uncorrectable sector count when read/write
161 (A1h)	LSB	MSB	00	00	00	00	00	Number of valid spare block
163 (A3h)	LSB	MSB	00	00	00	00	00	Number of initial invalid block
164 (A4h)	LSB	MSB	00	00	00	00	00	Total erase count
165 (A5h)	LSB			MSB	00	00	00	Maximum erase count
166 (A6h)	LSB			MSB	00	00	00	Minimum erase count
167 (A7h)	LSB			MSB	00	00	00	Average erase count
168 (A8h)	LSB			MSB	00	00	00	Max erase count of spec
169 (A9h)	LSB			MSB	00	00	00	Remain Life (percentage)
175 (AFh)	LSB			MSB	00	00	00	Program fail count in worst die
176 (B0h)	LSB			MSB	00	00	00	Erase fail count in worst die

177 (B1h)	LSB			MSB	00	00	00	Total wear level count
178 (B2h)	LSB	MSB	00	00	00	00	00	Runtime invalid block count
181 (B5h)	LSB			MSB	00	00	00	Total program fail count
182 (B6h)	LSB	MSB	00	00	00	00	00	Total erase fail count
187 (BBh)	LSB			MSB	00	00	00	Uncorrectable error count
192 (C0h)	LSB	MSB	00	00	00	00	00	Power-Off Retract Count
194 (C2h)	MSB	00	00	00	00	00	00	Controlled temperature
195 (C3h)	LSB			MSB	00	00	00	Hardware ECC recovered
196 (C4h)	LSB			MSB	00	00	00	Reallocation event count
198 (C6h)	LSB			MSB	00	00	00	Uncorrectable error count off-line
199 (C7h)	LSB	MSB	00	00	00	00	00	UltraDMA CRC error count
225 (E1h)	LSB						MSB	Total LBAs written (each write unit = 32MB)
232 (E8h)	LSB	MSB	00	00	00	00	00	Available reserved space
241 (F1h)	LSB						MSB	Total LBAs written (each write unit = 32MB)
242 (F2h)	LSB						MSB	Total LBAs read (each write unit = 32MB)

6. Part Number Rule

CODE	1	2	3	4	5	6	7	8	9	10	11	12	13	14	15	16	17	18	19	20	21
	D	V	S	2	5	-	3	2	G	D	8	1	B	C	1	Q	C	(P)	-	X	X
Description	Disk	2.5" SATA SSD 3MV2-P					Capacity			Category			Flash mode	Operation Temp.	Internal Control	CH.	Flash	icell		Customized Code	
Definition																					
Code 1st (Disk)												Code 13th (Flash mode)									
D : Disk												B: Synchronous Flash for Toshiba 15nm									
Code 2nd ~ 5th (Form Factor)												Code 14th (Operation Temperature)									
VS25: 2.5" SATA SSD 3MV2-P (InnoREC Series)												C: Standard Grade (0°C ~ +70°C)									
Code 7th ~9th (Capacity)												Code 15th (Internal control)									
08G: 8GB												Compliant to 7mm height housing									
16G: 16GB												*Only 2TB is with 9.5mm height housing									
32G: 32GB																					
64G: 64GB																					
A28: 128GB																					
B56: 256GB												Code 16th (Channel of data transfer)									
C12:512GB												S: Single Channel									
01T: 1TB												D: Dual Channels									
02T: 2TB												Q: Quad Channels									
Code 10th ~12th (Series)																					
D81: 2.5" SATA SSD 3MV2-P												Code 17th (Flash Type)									
												C: Toshiba MLC									
												Code 18th (iCell)									
												P: iCell, reserved for optional function									
												Code 20th ~21th (Customized code)									

Appendix

RoHS 自我宣告書 (RoHS Declaration of Conformity)

Manufacturer Product: All Innodisk EM Flash and Dram products

- 一、 宜鼎國際股份有限公司（以下稱本公司）特此保證售予貴公司之所有產品，皆符合歐盟 2011/65/EU 及 (EU) 2015/863 關於 RoHS 之規範要求。
Innodisk Corporation declares that all products sold to the company, are complied with European Union RoHS Directive (2011/65/EU) and (EU) 2015/863 requirement.
- 二、 本公司同意因本保證書或與本保證書相關事宜有所爭議時，雙方宜友好協商，達成協議。
Innodisk Corporation agrees that both parties shall settle any dispute arising from or in connection with this Declaration of Conformity by friendly negotiations.
- 三、 本公司聲明我們的產品符合 RoHS 指令的附件中 (7a)、(7c-1) 允許豁免。
We declare, our products permitted by the following exemptions specified in the Annex of the RoHS directive.
- ※ (7a) Lead in high melting temperature type solders (i.e. lead-based alloys containing 85% by weight or more lead).
- ※ (7C-1) Electrical and electronic components containing lead in a glass or ceramic other than dielectric ceramic in capacitors, e.g. piezoelectric devices, or in a glass or ceramic matrix compound.

Name of hazardous substance	Limited of RoHS ppm (mg/kg)
鉛 (Pb)	< 1000 ppm
汞 (Hg)	< 1000 ppm
鎘 (Cd)	< 100 ppm
六價鉻 (Cr 6+)	< 1000 ppm
多溴聯苯 (PBBs)	< 1000 ppm
多溴二苯醚 (PBDEs)	< 1000 ppm
鄰苯二甲酸二(2-乙基己基)酯 (DEHP)	< 1000 ppm
鄰苯二甲酸丁酯苯甲酯 (BBP)	< 1000 ppm
鄰苯二甲酸二丁酯 (DBP)	< 1000 ppm
鄰苯二甲酸二異丁酯 (DIBP)	< 1000 ppm

立 保 證 書 人 (Guarantor)

Company name 公司名稱：Innodisk Corporation 宜鼎國際股份有限公司

Company Representative 公司代表人：Randy Chien 簡川勝

宜鼎國際股份有限公司
Innodisk Corporation

Company Representative Title 公司代表人職稱： Chairman 董事長

Date 日期： 2018 / 07 / 01





宜鼎國際股份有限公司
Innodisk Corporation
REACH Declaration

Tel:(02)7703-3000 Fax:(02) 7703-3555 Internet: <http://www.innodisk.com/>

We hereby confirm that the product(s) delivered to

Innodisk P/N	Description
All Innodisk EM FLASH Products	

- contain(s) no hazardous substances or constituents exceeding the defined threshold 0.1 % by weight in homogenous material if not otherwise specified, as described in the candidate list table currently including 197 substances and shown on the ECHA website (<http://echa.europa.eu/de/candidate-list-table>).
- contain(s) one or more hazardous substances or constituents exceeding 0.1 % by weight in homogenous material if not otherwise specified in candidate list table. Where the threshold value is exceeded, the substances in question are to be declared in accompanying Appendix A.
- Comply with REACH Annex XVII.

Guarantor

Company name 公司名稱：Innodisk Corporation 宜鼎國際股份有限公司

Company Representative 公司代表人：Randy Chien 簡川勝

Company Representative Title 公司代表人職稱：Chairman 董事長

Date 日期：2019 / 01 / 31





VERIFICATION OF COMPLIANCE

This Verification of Compliance is hereby issued to the below named company. The test results of this report relate only to the tested sample identified in this report.

**Technical Standard: EMC DIRECTIVE 2014/30/EU
(EN55032 / EN55024)**

General Information

Applicant: Innodisk Corporation
5F., No. 237, Sec. 1, Datong Rd., Xizhi Dist.,
New Taipei City 22161, Taiwan (R.O.C)

Product Description

EUT Description: 2.5" SATA SSD
Brand Name: Innodisk
Model Number: 2.5" SATA SSD 3S*W-&
\$:Flash type: (S:SLC, L:LiSLC, M:MLC, T:3D TLC, A-Z:Others)
*:Product line: (E:Embedded, G:EverGreen, R:InnoRobust, S:Server, V:InnoREC, A-Z:Others)
#:Product Generation: (empty, 0-9)
&:Product line: (empty, P:Plus)

Measurement Standard

EN 55032: 2012 / AC: 2013
CISPR 32: 2012
EN 61000-3-2: 2014
EN 61000-3-3: 2013
EN 55024: 2010 + A1: 2015
(IEC 61000-4-2: 2008; IEC 61000-4-3: 2006 + A1: 2007 + A2: 2010; IEC 61000-4-4: 2012;
IEC 61000-4-5: 2014; IEC 61000-4-6: 2013; IEC 61000-4-8: 2009; IEC 61000-4-11: 2004)

Measurement Facilities

Xindian Lab.: Compliance Certification Services Inc.
No.163-1, Zhongsheng Rd., Xindian Dist., New Taipei City, 23151 Taiwan.
Tel: +886-2-22170894 / Fax: +886-2-22171029

This device has been shown to be in compliance with and was tested in accordance with the measurement procedures specified in the Standards & Specifications listed above and as indicated in the measurement report number: T170504D02-E

Sam Hu / Assistant Manager

Date: May 4, 2017



VERIFICATION OF COMPLIANCE

This Verification of Compliance is hereby issued to the below named company. The test results of this report relate only to the tested sample identified in this report.

**Technical Standard: FCC Part 15 Class B
IC ICES-003**

General Information

Applicant: Innodisk Corporation
5F., No. 237, Sec. 1, Datong Rd., Xizhi Dist.,
New Taipei City 22161, Taiwan (R.O.C)

Product Description

EUT Description: 2.5" SATA SSD
Brand Name: Innodisk
Model Number: 2.5" SATA SSD 35*4-&
S:Flash type: (S:SLC, I:iSLC, M:MLC, T:3D TLC, A-Z:Others)
*:Product line: (E:Embedded, G:EverGreen, R:InnoRobust, S:Server, V:InnoREC, A-Z:Others)
#:Product Generation: (empty, 0-9)
&:Product line: (empty, P:Plus)

Measurement Facilities

Xindian Lab.: Compliance Certification Services Inc.
No.163-1, Zhongsheng Rd., Xindian Dist., New Taipei City, 23151 Taiwan.
Tel: +886-2-22170894 / Fax: +886-2-22171029

This device has been shown to be in compliance with and was tested in accordance with the measurement procedures specified in the Standards & Specifications listed above and as indicated in the measurement report number: T170504D02-D

Sam Hu / Assistant Manager

Date: May 4, 2017