

Datasheet

2.5" SATA SSD

3IE4 series

- 2.5" SATA III solution for industrial field
- 7mm height mechanical design
- DRAM-less, high-level data integrity
- L³ architecture extends lifespan
- Excellent IOPS boosts system performance
- Built-in thermal sensor
- Support S.M.A.R.T, TRIM, and NCQ



Introduction

Innodisk 2.5" SATA SSD 3IE4 is characterized by L³ architecture with the latest SATA III (6.0GHz) Marvell NAND controller. Innodisk's exclusive L³ architecture is L² architecture multiplied LDPC (Low Density Parity Check). L² (Long Life) architecture is a 4K mapping algorithm that reduces WAF and features a real-time wear leveling algorithm to provide high performance and prolong lifespan with exceptional reliability.

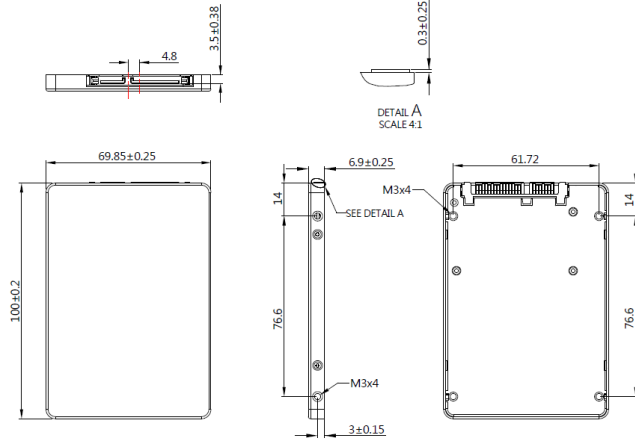
2.5" SATA SSD

3IE4 series

Drawing

Contact us for more information about the 2.5" SATA SSD 3IE4

Innodisk is a service-driven provider of industrial embedded flash and DRAM storage products and technologies, with a focus on the industrial/embedded, aerospace and defense, and cloud computing industries.



Specifications

Interface	SATA III
Flash Type	iSLC
Flash P/E Cycle Limit	20,000
Capacity	8GB~128GB
Max. Channels	2
Sequential R/W (MB/sec, max.)	530/380
Max. Power Consumption	0.8 W (5V x 160 mA)
Thermal Sensor	Supported
External DRAM Buffer	-
H/W Write Protect	-
S/W Write Protect	Supported
Pin7 Power	-
ATA Security	Supported
S.M.A.R.T.	Supported
Dimension (WxLxH)	69.85 X 100.10 X 6.9 mm
Environment	Vibration: 20G @7~2000Hz Shock: 1500G @ 0.5ms Storage Temperature: -55°C ~ +95°C MTBF: 3 million hours

Headquarters (Taiwan)

5F., No.237, Sec. 1, Datong Rd.,
Xizhi Dist., New Taipei City,
Taiwan (R.O.C.)
Tel: +886-2-77033000
Email: sales@innodisk.com

Branch Offices:

USA
usasales@innodisk.com
+1-510-770-9421
Europe
eusales@innodisk.com
+31-040-282-1818
Japan
jpsales@innodisk.com
+81-3-6667-0161
China
sales_cn@innodisk.com
+86-755-21673689
www.innodisk.com

© 2017 Innodisk Corporation.
All right reserved. Specifications
are subject to change without
prior notice.

Ordering Information

Operation Temp.	8GB	16GB	32GB	64GB	128GB
Standard Grade (0°C ~ +70°C)	DHS25-08GM41BC1SC DHS25-08GM41BC1DC	DHS25-16GM41BC1DC	DHS25-32GM41BC1DC	DHS25-64GM41BC1DC	DHS25-A28M41BC1DC
Industrial Grade (-40°C ~ +85°C)	DHS25-08GM41BW1SC DHS25-08GM41BW1DC	DHS25-16GM41BC1DC	DHS25-32GM41BW1DC	DHS25-64GM41BW1DC	DHS25-A28M41BW1DC

2.5" SATA SSD

3IE4 Series

Customer: _____

Customer

Part

Number: _____

Innodisk

Part

Number: _____

Innodisk

Model Name: _____

Date: _____

Innodisk Approver	Customer Approver

**Total Solution For
Industrial Flash Storage**

Table of contents

LIST OF FIGURES	6
1. PRODUCT OVERVIEW	7
1.1 INTRODUCTION OF INNODISK 2.5" SATA SSD 3IE4	7
1.2 PRODUCT VIEW AND MODELS	7
1.3 SATA INTERFACE	8
1.4 2.5-INCH FORM FACTOR	8
2. PRODUCT SPECIFICATIONS	9
2.1 CAPACITY AND DEVICE PARAMETERS	9
2.2 PERFORMANCE	9
2.3 ELECTRICAL SPECIFICATIONS	10
2.3.1 Power Requirement	10
2.3.2 Power Consumption	10
2.4 ENVIRONMENTAL SPECIFICATIONS	10
2.4.1 Temperature Ranges	10
2.4.2 Humidity	10
2.4.3 Shock and Vibration	10
2.4.4 Mean Time between Failures (MTBF)	11
2.5 CE AND FCC COMPATIBILITY	11
2.6 RoHS COMPLIANCE	11
2.7 RELIABILITY	11
2.8 TRANSFER MODE	12
2.9 PIN ASSIGNMENT	12
2.10 MECHANICAL DIMENSIONS	13
2.11 ASSEMBLY WEIGHT	13
2.12 SEEK TIME	13
2.13 HOT PLUG	13
2.14 NAND FLASH MEMORY	13
3. THEORY OF OPERATION	14
3.1 OVERVIEW	14
3.2 SATA III CONTROLLER	14
3.3 ERROR DETECTION AND CORRECTION	14
3.4 WEAR-LEVELING	15
3.5 BAD BLOCKS MANAGEMENT	15
3.6 GARBAGE COLLECTION/TRIM	15
3.7 WRITE PROTECT (OPTIONAL)	15
3.7.1 Enable Write Protect Command	15
3.7.2 Disable Write Protect Command	16

- 3.8 TRIM 17**
- 4. INSTALLATION REQUIREMENTS18**
 - 4.1 2.5" SATA SSD 3IE4 PIN DIRECTIONS 18**
 - 4.2 ELECTRICAL CONNECTIONS FOR 2.5" SATA SSD 3IE4..... 18**
 - 4.3 FORM FACTOR..... 18**
 - 4.4 DEVICE DRIVE 19**
- 5. PART NUMBER RULE20**

REVISION HISTORY

Revision	Description	Date
Preliminary	First Released	Dec, 2016
Rev 1.0	Update TBW	Apr., 2017
Rev 1.1	Add M3 Screws of Torque Value	Aug., 2017
Rev 1.2	Update features	Sep., 2022
Rev 1.3	Update Assembly Torque Information	Mar., 2023

List of Tables

TABLE 1: DEVICE PARAMETERS	9
TABLE 2: PERFORMANCE	9
TABLE 3: INNODISK 2.5" SATA SSD 3IE4 POWER REQUIREMENT	10
TABLE 4: POWER CONSUMPTION	10
TABLE 5: TEMPERATURE RANGE FOR 2.5" SATA SSD 3IE4	10
TABLE 6: SHOCK/VIBRATION TESTING FOR 2.5" SATA SSD 3IE4	10
TABLE 7: 2.5" SATA SSD 3IE4 MTBF	11
TABLE 8: INNODISK 2.5" SATA SSD 3IE4 PIN ASSIGNMENT	12
TABLE 9: EXECUTE ENABLE WRITE PROTECT COMMAND FOR INPUTS INFORMATION	15
TABLE 10: EXECUTE ENABLE WRITE PROTECT COMMAND FOR NORMAL OUTPUT INFORMATION	16
TABLE 11: EXECUTE DISABLE WRITE PROTECT COMMAND FOR INPUTS INFORMATION	16
TABLE 12: EXECUTE DISABLE WRITE PROTECT COMMAND FOR NORMAL OUTPUT INFORMATION	17

List of Figures

FIGURE 1: INNODISK 2.5" SATA SSD 3IE4	7
FIGURE 2: INNODISK 2.5" SATA SSD 3IE4 BLOCK DIAGRAM	14
FIGURE 3: SIGNAL SEGMENT AND POWER SEGMENT	18
FIGURE 4: 2.5" SATA SSD 3IE4 MECHANICAL SCREW HOLE	19

1. Product Overview

1.1 Introduction of Innodisk 2.5" SATA SSD 3IE4

Innodisk 2.5" SATA SSD 3IE4 is characterized by L³ architecture with the latest SATA III (6.0GHz) Marvell NAND controller. Innodisk's exclusive L³ architecture is L² architecture multiplied LDPC (Low Density Parity Check). L² (Long Life) architecture is a 4K mapping algorithm that reduces WAF and features a real-time wear leveling algorithm to provide high performance and prolong lifespan with exceptional reliability. Innodisk 2.5" SATA SSD 3IE4 is designed for industrial field, and supports several standard features, including TRIM, NCQ, and S.M.A.R.T. In addition, Innodisk's exclusive industrial-oriented firmware provides a flexible customization service, making it perfect for a variety of industrial applications.

1.2 Product View and Models

Innodisk 2.5" SATA SSD 3IE4 is available in follow capacities:

[2.5" SATA SSD 3IE4 8GB](#)

[2.5" SATA SSD 3IE4 64GB](#)

[2.5" SATA SSD 3IE4 16GB](#)

[2.5" SATA SSD 3IE4 128GB](#)

[2.5" SATA SSD 3IE4 32GB](#)



Figure 1: Innodisk 2.5" SATA SSD 3IE4

1.3 SATA Interface

Innodisk 2.5" SATA SSD 3IE4 support SATA III interface, and compliant with Serial ATA Gen 1, Gen 2 and Gen 3 specification (Gen 3 supports 1.5Gbps /3.0Gbps/6.0Gbps data rate). SATA connector uses a 7-pin signal segment and a 15-pin power segment.

1.4 2.5-inch Form Factor

The Industry-standard 2.5-inch form factor design with metal material case is easy for installation, which has a compact design 69.85mm (W) x100.00mm (L) x 6.90mm (H).

2. Product Specifications

2.1 Capacity and Device Parameters

2.5" SATA SSD 3IE4 device parameters are shown in Table 1.

Table 1: Device parameters

Capacity	LBA	Cylinders	Heads	Sectors	User Capacity(MB)
8GB	15649200	15525	16	63	7641
16GB	31277232	16383	16	63	15272
32GB	62533296	16383	16	63	30533
64GB	125045424	16383	16	63	61057
128GB	250069680	16383	16	63	122104

2.2 Performance

Burst Transfer Rate: 6.0Gbps

Table 2: Performance

Capacity	8GB		16GB	32GB	64GB	128GB
	1CH	2CH				
Sequential Read (max.)	250 MB/s	280 MB/s	500 MB/s	530 MB/s	530 MB/s	530 MB/s
Sequential Write (max.)	80 MB/s	200 MB/s	160 MB/s	320 MB/s	320 MB/s	380 MB/s
4KB Random** Read (QD32)	12,000 IOPS	18,000 IOPS	23,000 IOPS	27,000 IOPS	27,000 IOPS	32,000 IOPS
4KB Random** Write (QD32)	14,000 IOPS	28,000 IOPS	28,000 IOPS	32,000 IOPS	32,000 IOPS	32,000 IOPS

Note: * Sequential performance based on CrystalDiskMark 5.1.2 with file size 1000MB

** Random performance based on IOmeter with Queue Depth 32

2.3 Electrical Specifications

2.3.1 Power Requirement

Table 3: Innodisk 2.5" SATA SSD 3IE4 Power Requirement

Item	Symbol	Rating	Unit
Input voltage	V _{IN}	+5 DC +- 5%	V

2.3.2 Power Consumption

Table 4: Power Consumption

Mode	Power Consumption
Read	93 mA (max.)
Write	160 mA (max.)
Idle	91 mA (max.)

* Target: 2.5" SATA SSD 3IE4 128GB

2.4 Environmental Specifications

2.4.1 Temperature Ranges

Table 5: Temperature range for 2.5" SATA SSD 3IE4

Temperature	Range
Operating	Standard Grade: 0°C to +70°C
	Industrial Grade: -40°C to +85°C
Storage	-55°C to +95°C

2.4.2 Humidity

Relative Humidity: 10-95%, non-condensing

2.4.3 Shock and Vibration

Table 6: Shock/Vibration Testing for 2.5" SATA SSD 3IE4

Reliability	Test Conditions	Reference Standards
Vibration	7 Hz to 2K Hz, 20G, 3 axes	IEC 68-2-6
Mechanical Shock	Duration: 0.5ms, 1500 G, 3 axes	IEC 68-2-27

2.4.4 Mean Time between Failures (MTBF)

Table 7 summarizes the MTBF prediction results for various 2.5" SATA SSD 3IE4 configurations. The analysis was performed using a RAM Commander™ failure rate prediction.

- **Failure Rate:** The total number of failures within an item population, divided by the total number of life units expended by that population, during a particular measurement interval under stated condition.
- **Mean Time between Failures (MTBF):** A basic measure of reliability for repairable items: The mean number of life units during which all parts of the item perform within their specified limits, during a particular measurement interval under stated conditions.

Table 7: 2.5" SATA SSD 3IE4 MTBF

Product	Condition	MTBF (Hours)
Innodisk 2.5" SATA SSD 3IE4	Telcordia SR-332 GB, 25°C	>3,000,000

2.5 CE and FCC Compatibility

2.5" SATA SSD 3IE4 conforms to CE and FCC requirements.

2.6 RoHS Compliance

2.5" SATA SSD 3IE4 is fully compliant with RoHS directive.

2.7 Reliability

Parameter	Value	
Read Cycles	Unlimited Read Cycles	
Flash endurance	20,000 P/E cycles	
Wear-Leveling Algorithm	Support	
Bad Blocks Management	Support	
Error Correct Code	Support	
TBW* (Total Bytes Written) Unit:TB		
	Capacity	Sequential workload
		Client workload
	08GB	156.3
	16GB	312.5
	32GB	625.0
	64GB	1250.0
	128GB	2500.0
Note: 1. Sequential: Mainly sequential write, tested by Vdbench 2. Client: Follow JESD218 Test method and JESD219A Workload, tested by ULINK. (The capacity lower than 64GB client workload is not specified in JEDEC219A, the values are estimated.) 3. Based on out-of-box performance.		

2.8 Transfer Mode

2.5" SATA SSD 3IE4 support following transfer mode:

Serial ATA III 6.0Gbps

Serial ATA II 3.0Gbps

Serial ATA I 1.5Gbps

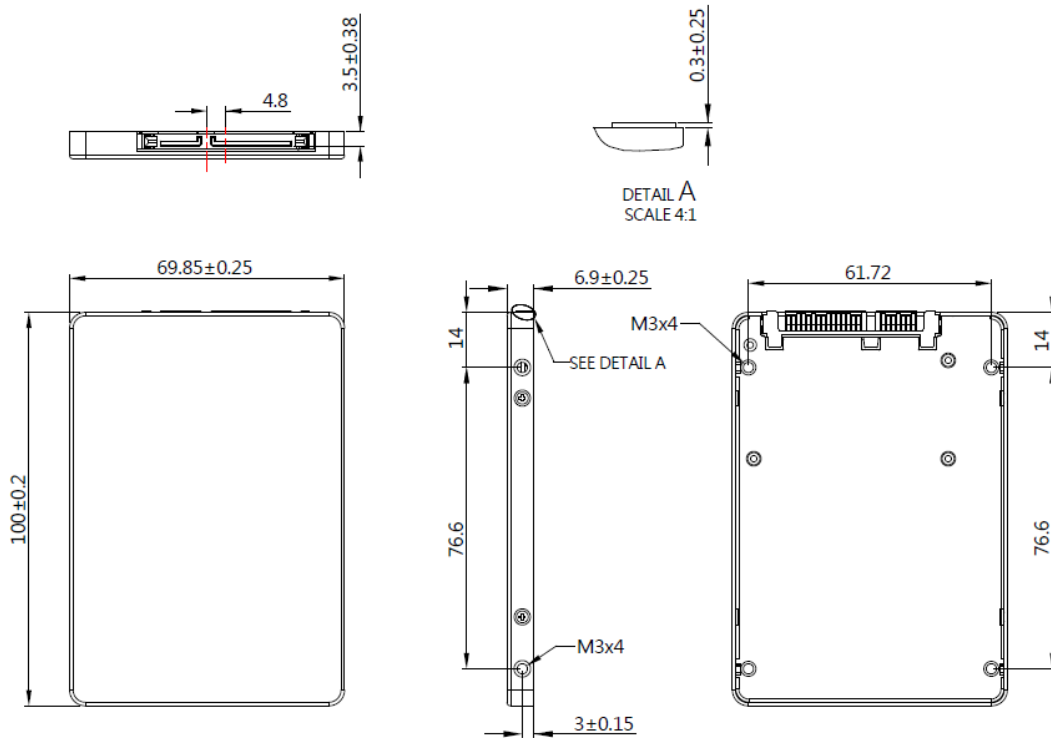
2.9 Pin Assignment

Innodisk 2.5" SATA SSD 3IE4 uses a standard SATA pin-out. See Table 8 for 2.5" SATA SSD 3IE4 pin assignment.

Table 8: Innodisk 2.5" SATA SSD 3IE4 Pin Assignment

Name	Type	Description
S1	GND	NA
S2	A+	Differential Signal Pair A
S3	A-	
S4	GND	NA
S5	B-	Differential Signal Pair B
S6	B+	
S7	GND	NA
Key and Spacing separate signal and power segments		
P1	NC	NA
P2	NC	NA
P3	NC	NA
P4	GND	NA
P5	GND	NA
P6	GND	NA
P7	V5	5V Power, Pre-Charge
P8	V5	5V Power
P9	V5	5V Power
P10	GND	NA
P11	DAS/DSS	Device Activity Signal / Disable Staggered
P12	GND	NA
P13	NC	NA
P14	NC	NA
P15	NC	NA

2.10 Mechanical Dimensions



2.11 Assembly Weight

An Innodisk 2.5" SATA SSD 3IE4 within MLC flash ICs, 16GB's weight is 60 grams approx.

2.12 Seek Time

Innodisk 2.5" SATA SSD 3IE4 is not a magnetic rotating design. There is no seek or rotational latency required.

2.13 Hot Plug

The SSD support hot plug function and can be removed or plugged-in during operation. User has to avoid hot plugging the SSD which is configured as boot device and installed operation system.

Surprise hot plug : The insertion of a SATA device into a backplane (combine signal and power) that has power present. The device powers up and initiates an OOB sequence.

Surprise hot removal: The removal of a SATA device from a powered backplane, without first being placed in a quiescent state.

2.14 NAND Flash Memory

Innodisk 2.5" SATA SSD 3IE4 uses Multi Level Cell (MLC) NAND flash memory, which is non-volatility, high reliability and high speed memory storage.

3. Theory of Operation

3.1 Overview

Figure 2 shows the operation of Innodisk 2.5" SATA SSD 3IE4 from the system level, including the major hardware blocks.

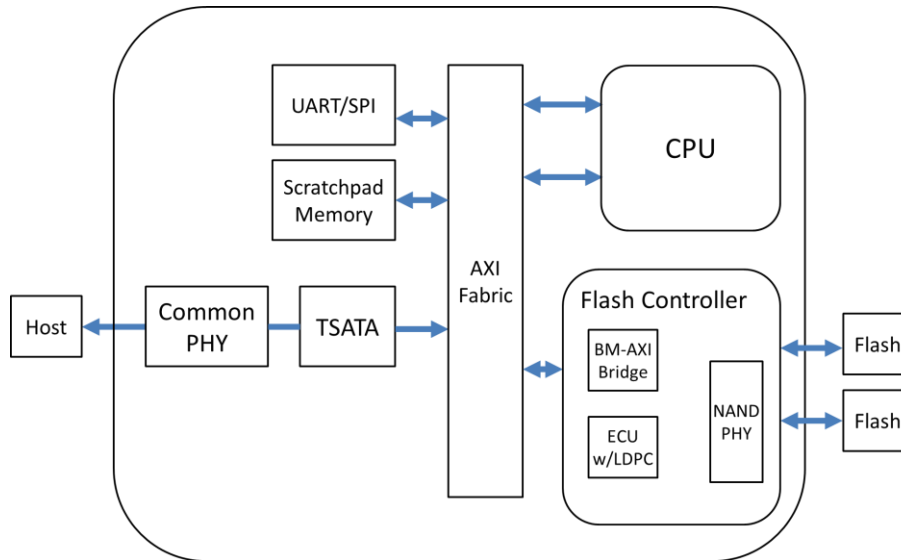


Figure 2: Innodisk 2.5" SATA SSD 3IE4 Block Diagram

Innodisk 2.5" SATA SSD 3IE4 integrates a SATA III controller and NAND flash memories. Communication with the host occurs through the host interface, using the standard ATA protocol. Communication with the flash device(s) occurs through the flash interface.

3.2 SATA III Controller

Innodisk 2.5" SATA SSD 3IE4 is designed with 88NV1120, a SATA III 6.0Gbps (Gen. 3) controller. The Serial ATA physical, link and transport layers are compliant with Serial ATA Gen 1, Gen 2 and Gen 3 specification (Gen 3 supports 1.5Gbps/3.0Gbps/6.0Gbps data rate). The controller has 2 channels for flash interface.

3.3 Error Detection and Correction

Innodisk 2.5" SATA SSD 3IE4 is designed with hardware LDPC ECC engine with hard-decision and soft-decision decoding. Low-density parity-check (LDPC) codes have excellent error correcting performance close to the Shannon limit when decoded with the belief-propagation (BP) algorithm using soft-decision information.

3.4 Wear-Leveling

Flash memory can be erased within a limited number of times. This number is called the **erase cycle limit** or **write endurance limit** and is defined by the flash array vendor. The erase cycle limit applies to each individual erase block in the flash device.

Innodisk 2.5" SATA SSD 3IE4 uses a static wear-leveling algorithm to ensure that consecutive writes of a specific sector are not written physically to the same page/block in the flash. This spreads flash media usage evenly across all pages, thereby extending flash lifetime.

3.5 Bad Blocks Management

Bad Blocks are blocks that contain one or more invalid bits whose reliability are not guaranteed. The Bad Blocks may be presented while the SSD is shipped, or may develop during the life time of the SSD. When the Bad Blocks is detected, it will be flagged, and not be used anymore. The SSD implement Bad Blocks management, Bad Blocks replacement, Error Correct Code to avoid data error occurred. The functions will be enabled automatically to transfer data from Bad Blocks to spare blocks, and correct error bit.

3.6 Garbage Collection/TRIM

Garbage collection and TRIM technology is used to maintain data consistency and perform continual data cleansing on SSDs. It runs as a background process, freeing up valuable controller resources while sorting good data into available blocks, and deleting bad blocks. It also significantly reduces write operations to the drive, thereby increasing the SSD's speed and lifespan.

3.7 Write Protect (Optional)

Write protect can prevent the disk from data modification or data deletion. Write-protected data in disk is read-only, that is, users could not write to it, edit it, append data to it, or delete it.

3.7.1 Enable Write Protect Command

This command enable SSD into write protect mode, which is read-only. The SSD under write protect will overpass any write command.

-Protocol: Non Data Command

-Inputs

Table 9: Execute Enable Write Protect command for inputs information

Register	7	6	5	4	3	2	1	0
Features	01h							

Sector Count	41h				
LBA Low	Na				
LBA Mid	Na				
LBA High	Na				
Device	1	1	1	0	Na
Command	84h				

-Normal Outputs

Table 10: Execute Enable Write Protect command for normal output information

Register	7	6	5	4	3	2	1	0
Error	Na							
Sector Count	Na							
LBA Low	Na							
LBA Mid	Na							
LBA High	Na							
Device	obs	Na	obs	DEV	Na	Na	Na	Na
Status	BSY	DRDY	DF	Na	DRQ	Na	Na	ERR

Device register-

DEV shall specify the selected device.

Status register

BSY will be cleared to zero indicating command completion

DRDY will be set to one.

DF (Device Fault) will be cleared to zero.

DRQ will be cleared to zero

ERR will be cleared to zero.

3.7.2 Disable Write Protect Command

This command disable SSD's write protect feature.

-Protocol: Non Data Command

-Inputs

Table 11: Execute Disable Write Protect command for inputs information

Register	7	6	5	4	3	2	1	0
Features	00h							
Sector Count	41h							
LBA Low	Na							
LBA Mid	Na							

LBA High	Na				
Device	1	1	1	0	Na
Command	84h				

-Normal Outputs

Table 12: Execute Disable Write Protect command for normal output information

Register	7	6	5	4	3	2	1	0
Error	Na							
Sector Count	Na							
LBA Low	Na							
LBA Mid	Na							
LBA High	Na							
Device	obs	Na	obs	DEV	Na	Na	Na	Na
Status	BSY	DRDY	DF	Na	DRQ	Na	Na	ERR

Device register-

DEV shall specify the selected device.

Status register

BSY will be cleared to zero indicating command completion

DRDY will be set to one.

DF (Device Fault) will be cleared to zero.

DRQ will be cleared to zero

ERR will be cleared to zero.

3.8 TRIM

The TRIM command is designed to enable the operating system to notify the SSD which pages no longer contain valid data due to erases either by the user or operating system itself. During a delete operation, the OS will mark the sectors as free for new data and send a TRIM command to the SSD to mark them as not containing valid data. After that the SSD knows not to preserve the contents of the block when writing a page, resulting in less write amplification with fewer writes to the flash, higher write speed, and increased drive life.

4. Installation Requirements

4.1 2.5" SATA SSD 3IE4 Pin Directions

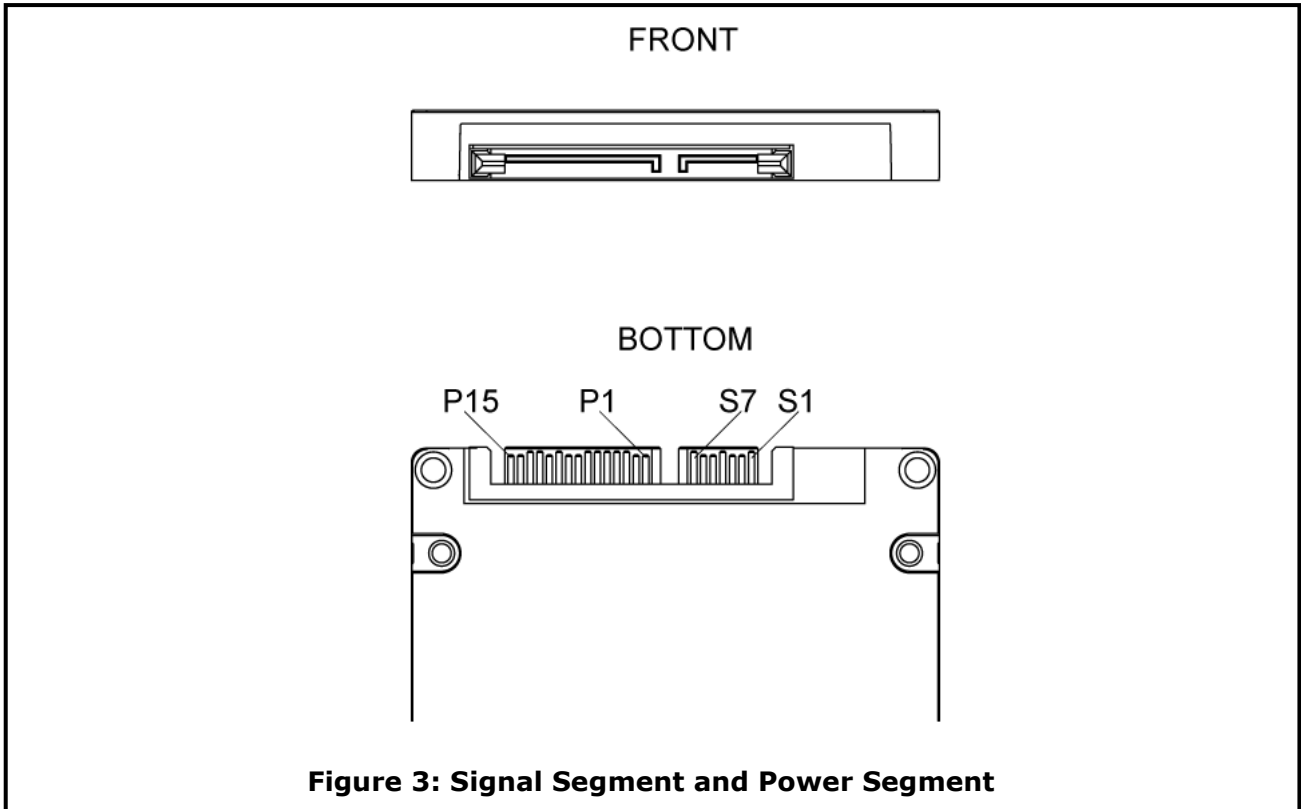


Figure 3: Signal Segment and Power Segment

4.2 Electrical Connections for 2.5" SATA SSD 3IE4

A Serial ATA device may be either directly connected to a host or connected to a host through a cable. For connection via cable, the cable should be no longer than 1 meter. The SATA interface has a separate connector for the power supply. Please refer to the pin description for further details.

4.3 Form Factor

Please prepare following things:

- Screw driver.
- Four M3 screws. (Torque value is 2.0 ~ 2.5 Kgf.cm)
- SATA single cable (7-pin, Maximum length 1 meter).
- SATA power cable (15-pin).

Please turn off your computer, and open your computer's case. Find one of available 2.5-inch slot, and plug the SSD in. To use the screws fix the SSD. Plug in the SATA single cable, and power cable. Please boot the installation Operation System from CD-ROM, and install Operation System into SSD.

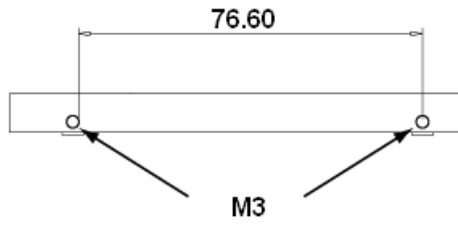


Figure 4: 2.5" SATA SSD 3IE4 Mechanical Screw Hole

4.4 Device Drive

No additional device drives are required. Innodisk 2.5" SATA SSD 3IE4 can be configured as a boot device.

5. Part Number Rule

CODE	1	2	3	4	5	6	7	8	9	10	11	12	13	14	15	16	17	18	19	20
	D	H	S	2	5	-	3	2	G	M	4	1	B	C	1	D	C	-	X	X
Description	Disk	2.5" SATA SSD 3IE4					Capacity			Category			Flash mode	Operation Temp.	Internal Control	CH.	Flash	-	Customized Code	
Definition																				
Code 1st (Disk)												Code 13th (Flash mode)								
D : Disk												B: Synchronous Flash for Toshiba 15nm								
Code 2nd ~ 5th (Form Factor)												Code 14th (Operation Temperature)								
HS25: 2.5" SATA SSD 3IE4												C: Standard Grade (0°C ~ +70°C)								
Code 7th ~9th (Capacity)												Code 15th (Internal control)								
08G: 8GB												1: Slim PCBA compliant to 7mm height housing								
16G: 16GB																				
32G: 32GB																				
Code 10th ~12th (Series)												Code 16th (Channel of data transfer)								
M41: 88NV1120												S: Single Channel								
												Code 17th (Flash Type)								
												D: Dual Channels								
												Code 19th ~20th (Customized code)								
												C: Toshiba MLC								

Appendix



宜鼎國際股份有限公司 Innodisk Corporation

Page 1/1

Tel: (02)7703-3000 Fax: (02) 7703-3555 Internet: <http://www.innodisk.com/>

RoHS 自我宣告書 (RoHS Declaration of Conformity)

Manufacturer Product: All Innodisk EM Flash and Dram products

- 一、 宜鼎國際股份有限公司 (以下稱本公司) 特此保證售予新漢股份有限公司之所有產品, 皆符合歐盟 2011/65/EU 關於 RoHS 之規範要求。

Innodisk Corporation declares that all products sold to Nexcon, are complied with European Union RoHS Directive (2011/65/EU) requirement.

- 二、 本公司同意因本保證書或與本保證書相關事宜有所爭議時, 雙方宜友好協商, 達成協議。
Innodisk Corporation agrees that both parties shall settle any dispute arising from or in connection with this Declaration of Conformity by friendly negotiations.

Name of hazardous substance	Limited of RoHS	ppm (mg/kg)
鉛 (Pb)	<	1000 ppm
汞 (Hg)	<	1000 ppm
鎘 (Cd)	<	100 ppm
六價鉻 (Cr 6+)	<	1000 ppm
多溴聯苯 (PBBs)	<	1000 ppm
多溴二苯醚 (PBDEs)	<	1000 ppm

立保證書人 (Guarantor)

Company name 公司名稱: Innodisk Corporation 宜鼎國際股份有限公司

Company Representative 公司代表人: Randy Chien 簡川勝

Company Representative Title 公司代表人職稱: Chairman 董事長

Date 日期: 2016 / 08 / 04



REACH Declaration of Conformity

Manufacturer Product: All Innodisk EM Flash and Dram products

1.宜鼎國際股份有限公司（以下稱本公司）特此保證此售予貴公司之產品，皆符合歐盟化學品法案(Registration, Evaluation and Authorization of Chemicals; REACH)之規定

(<http://www.echa.europa.eu/de/candidate-list-table> last updated: 20/06/2016)。所提供之產品包含：(1) 產品或產品所使用到的所有原物料；(2) 包裝材料；(3) 設計、生產及重工過程中所使用到的所有原物料。

We Innodisk Corporation hereby declare that our products are in compliance with the requirements according to the REACH Regulation

(<http://www.echa.europa.eu/de/candidate-list-table> last updated: 20/06/2016).

Products include : 1) Product and raw material used by the product : 2) Packaging material : 3) Raw material used in the process of design, production and rework

2.本公司同意因本保證書或與本保證書相關事宜有所爭議時，雙方宜友好協商，達成協議。

InnoDisk Corporation agrees that both parties shall settle any dispute arising from or in connection with this Declaration of Conformity by friendly negotiations.

立 保 證 書 人 (Guarantor)

Company name 公司名稱：InnoDisk Corporation 宜鼎國際股份有限公司

Company Representative 公司代表人：Randy Chien 簡川勝

Company Representative Title 公司代表人職稱：Chairman 董事長

Date 日期：2016 / 06 / 23





VERIFICATION OF COMPLIANCE

This Verification of Compliance is hereby issued to the below named company. The test results of this report relate only to the tested sample identified in this report.

**Technical Standard: EMC DIRECTIVE 2014/30/EU
(EN55022 / EN55024)**

General Information

Applicant: Innodisk Corporation
5F., No. 237, Sec. 1, Datong Rd., Xizhi Dist.,
New Taipei City 22161, Taiwan (R.O.C)

Product Description

EUT Description: 2.5" SATA SSD
Brand Name: Innodisk
Model Number: 2.5" SATA SSD 3\$*#-&
\$:Flash type: (S:SLC, L:SLC, M:MLC, T:3D TLC)
*:Product line: (E:Embedded, G:EverGreen, R:InnoRobust)
#:Product Generation: (empty, 0-9)
&:Product line: (empty, P:Plus)

Measurement Standard

EN 55022: 2010 / AC: 2011
EN 61000-3-2: 2014
EN 61000-3-3: 2013
EN 55024: 2010 + A1: 2015
(IEC 61009-4-2: 2008; IEC 61000-4-3: 2006 + A1: 2007 + A2: 2010; IEC 61000-4-4: 2012;
IEC 61000-4-5: 2014; IEC 61000-4-6: 2013; IEC 61000-4-8: 2009; IEC 61009-4-11: 2004)

Measurement Facilities

Xindian Lab.: Compliance Certification Services Inc.
No. 163-1, Jiangsheng Rd., Xindian Dist., New Taipei City, 23151 Taiwan.
Tel: +886-2-22170854 / Fax: +886-2-22171029

This device has been shown to be in compliance with and was tested in accordance with the measurement procedures specified in the Standards & Specifications listed above and as indicated in the measurement report number: T16100-AD15-F.

Sam Hu / Assistant Manager

Date: October 11, 2016

CCSRF
輝矽科技股份有限公司
Compliance Certification Services Inc.



VERIFICATION OF COMPLIANCE

This Verification of Compliance is hereby issued to the below named company. The test results of this report relate only to the tested sample identified in this report.

**Technical Standard: FCC Part 15 Class B
IC ICES-003**

General Information

Applicant: Innodisk Corporation
5F., No. 237, Sec. 1, Datong Rd., Xizhi Dist.,
New Taipei City 22161, Taiwan (R.O.C)

Product Description

EUT Description: 2.5" SATA SSD
Brand Name: Innodisk
Model Number: 2.5" SATA SSD 38*#-&
\$:Flash type: (S:SLC, I:iSLC, M:MLC, T:3D TLC)
*:Product line: (E:Embedded, G:EverGreen, R:InnoRobust)
#:Product Generation: (empty, 0-9)
&:Product line: (empty, P:Plus)

Measurement Facilities

Xindian Lab.: Compliance Certification Services Inc.
No.163-1, Zhongsheng Rd., Xindian Dist., New Taipei City, 23131 Taiwan.
Tel: +886-2-22170894 / Fax: +886-2-22171029

This device has been shown to be in compliance with and was tested in accordance with the measurement procedures specified in the Standards & Specifications listed above and as indicated in the measurement report number: T161004D15-D

Sam Hu / Assistant Manager

Date: October 11, 2016

