

# Product Data Sheets

Customer : \_\_\_\_\_

Part No. : \_\_\_\_\_

CoolerMaster Model No. : ECC-00586-01-GPEdition: A1Issued Date: 2008.06.09

Revision History :			
Date of Release	Revision No.	Description	
Customer		Cooler Master	
Approved by	DCC	Checked by	Drafted by
	陳如玉	徐宗瑞	徐惠玲
Date:	Date:2008.06.09	Date:2008.06.09	Date:2008.06.09



## Cooler Master Co., Ltd.

TEL: +886 (2) 32340050 FAX : +886 (2) 32340051

www.coolermaster.com



## **1. Whole Set Photo**

## **2. Specification & Dimension & SGS**

- Heat Sink
- Screw
- Spring
- Washer
- Back Plate
- Insulator
- Interface
- Sponge
- Fan

## **3. Package**



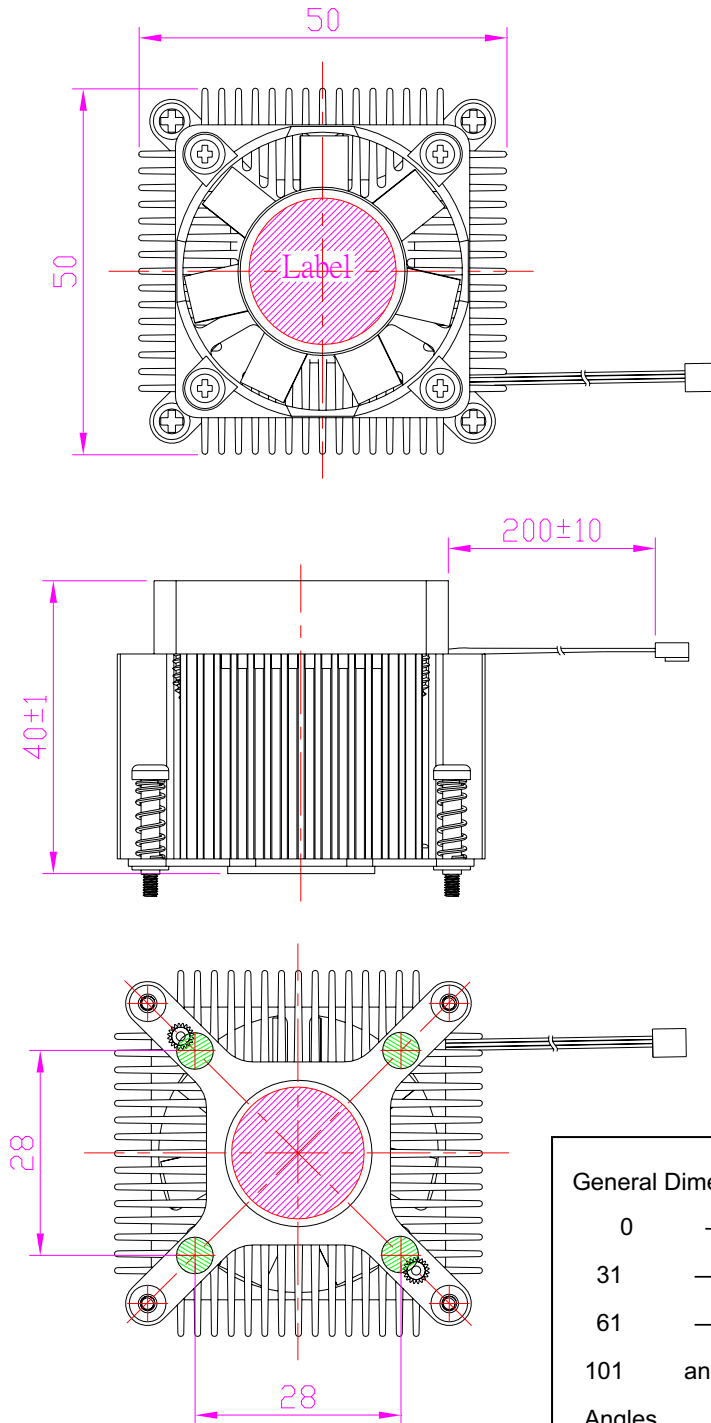
## Whole Set Photo





## Specification & Dimension

### Assembly

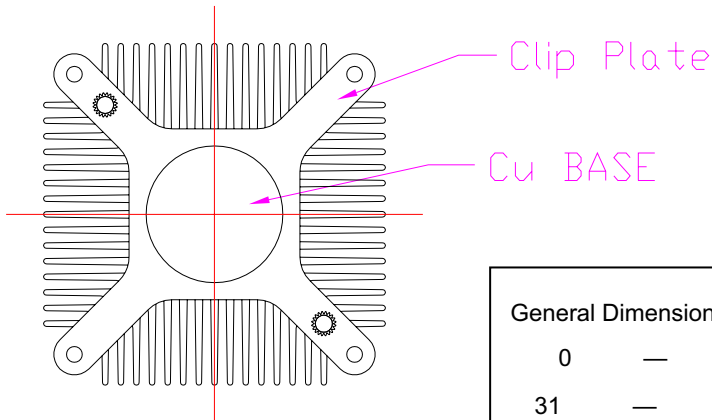
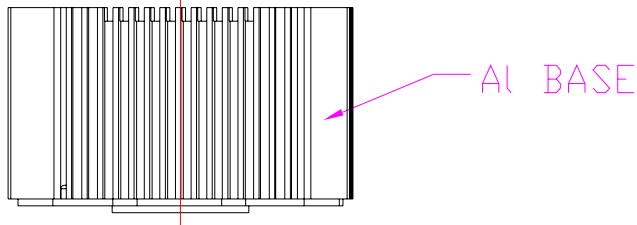
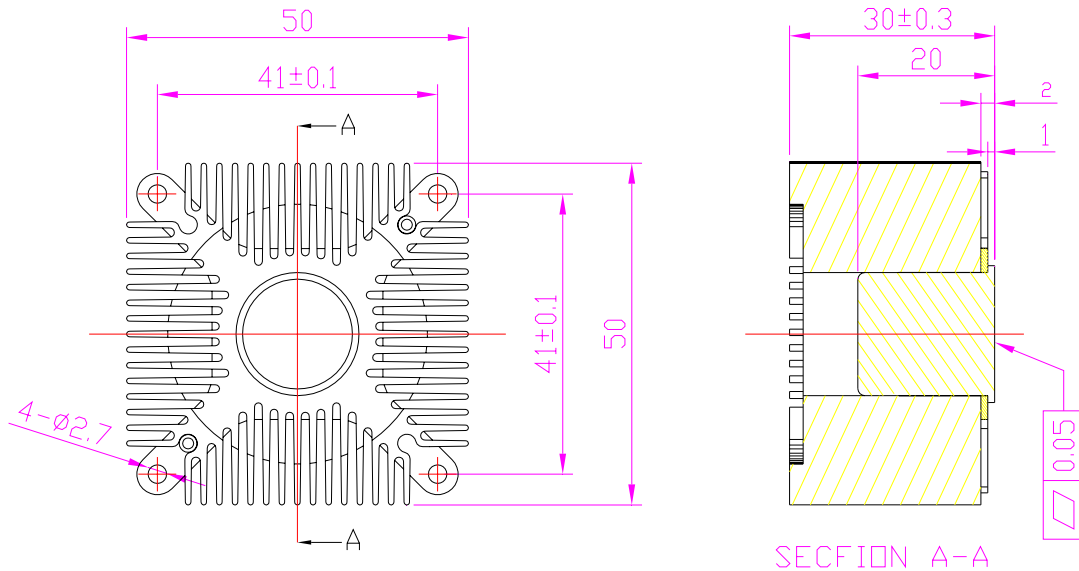


#### General Dimension Tolerances (Unit : mm )

0	—	30	$\pm 0.2$
31	—	60	$\pm 0.3$
61	—	100	$\pm 0.4$
101	and	Over	$\pm 0.5$
Angles			$\pm 2^\circ$



## Heat Sink



General Dimension Tolerances (Unit : mm )			
0	—	30	± 0.2
31	—	60	± 0.3
61	—	100	± 0.4
101	and	Over	± 0.5
Angles			± 2°



## Al Heat Sink

**Material : Aluminum Alloy 6063 T5**

**Finished: Original Anodize**

**Mechanical Characteristics :**

Alloy No.	Designation	Cutting Area Surface	Extension Rate
6063	T5	Over 15 kgf/mm <sup>2</sup>	7 %

**Chemistry Ingredient & Temper Designation :**

Value	Si	Fe	Cu	Mn	Cr	Mg	Zn	Ti	Flatness
SPECIFIED VALUES	0.4258	0.2037	0.0032	0.0059	0.0028	0.5147	0.0000	0.00263	0.1mm ↓

## Cu Base

**Material : Copper Alloy C1100**

**Finish : Anti-Oxidation**

**Mechanical Characteristics :**

Alloy No.	Tensile strength (26~32kgf/mm <sup>2</sup> )	Hardness Test (80~100HV)	Elongation (%)
C1100	26329	88	98

**Chemistry Ingredient & Temper Designation :**

Value	Cu	Pd	Fe	Sn	Zn	P
SPECIFIED VALUES	99.95Max	0	0	0	REN	0

## Clip Plate

**Material : S50C Heat Treatment**

**Finish : Nickel Plating**

**Thickness : 1.0mm**



## Screw

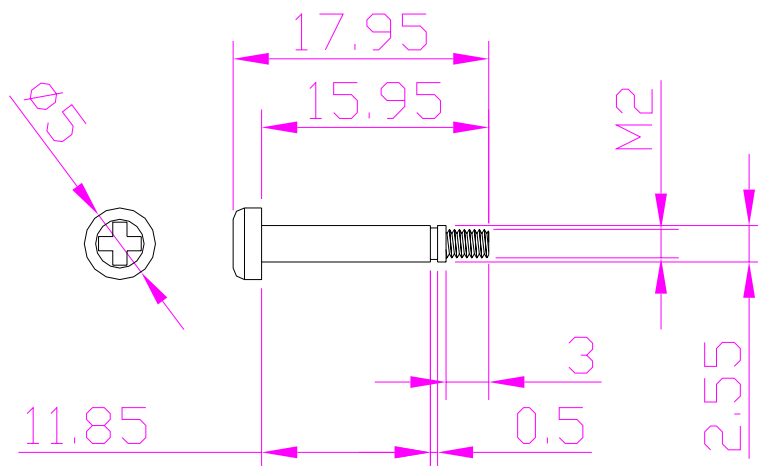
**Material : AISI 1018**

**Finished: Nickel Plating**

**Product : ROD CARBON STEEL**

**Chemistry Ingredient Characteristics : (%)**

Value	C	KN	P	S	SI	Mg
<b>SPECIFIED VALUES</b>	0.16	0.78	0.24	0.8	0.2	0.5147



### General Dimension Tolerances (Unit : mm )

0	—	30	± 0.2
31	—	60	± 0.3
61	—	100	± 0.4
101	and	Over	± 0.5
Angles			± 2°



## Spring

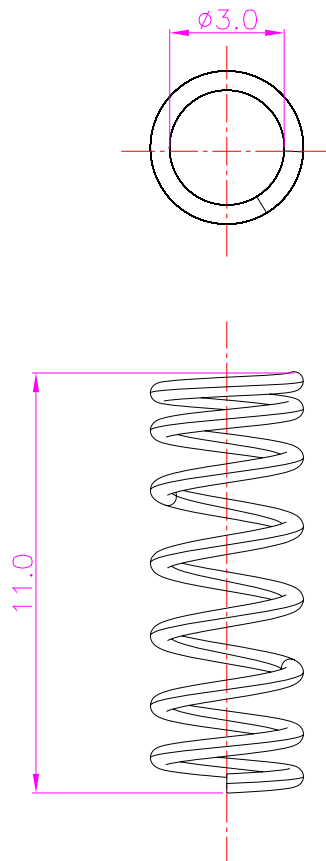
### Mechanical Characteristics :

Commodity	Size	Compress
SWP-B	0.5 mm	5 mm

### Finished: Nickel Plating

### Chemistry Ingredient Characteristics : (%)

Value	C	Si	Mn	P	S	Cu
SPECIFIED VALUES	0.81	0.18	0.50	0.011	0.004	0.01



### General Dimension Tolerances (Unit : mm )

0	—	30	$\pm 0.2$
31	—	60	$\pm 0.3$
61	—	100	$\pm 0.4$
101	and	Over	$\pm 0.5$
Angles			$\pm 2^\circ$



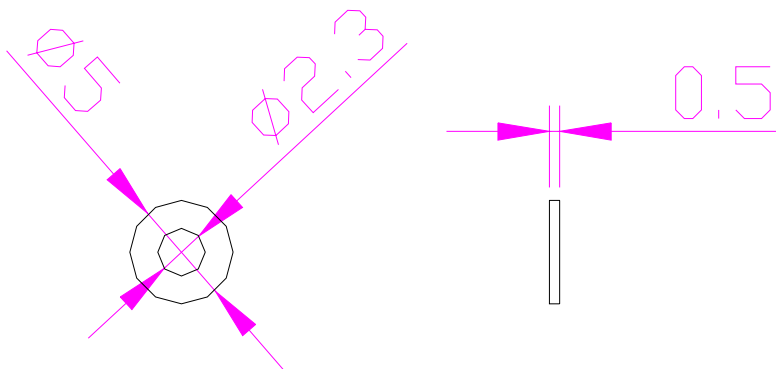


## Washer

Material : Nylon+MOS2

Thickness : 0.5mm

Color : Black



General Dimension Tolerances (Unit : mm )			
0	—	30	$\pm 0.2$
31	—	60	$\pm 0.3$
61	—	100	$\pm 0.4$
101	and	Over	$\pm 0.5$
Angles			$\pm 2^\circ$



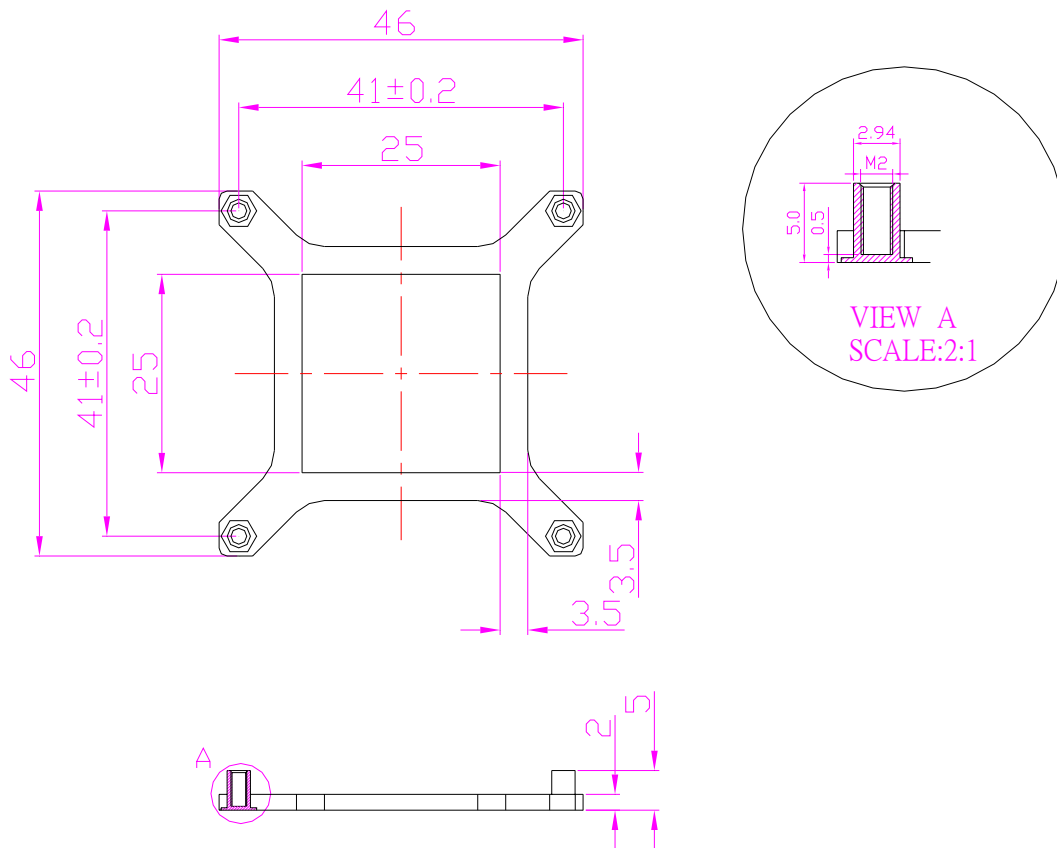
## Back Plate

Material : SPCC

Boss Material: Free Cutting Steel

Finished: Nickel-Plating

Thickness : 2mm



### General Dimension Tolerances (Unit : mm )

0	—	30	$\pm 0.2$
31	—	60	$\pm 0.3$
61	—	100	$\pm 0.4$
101	and	Over	$\pm 0.5$
Angles			$\pm 2^\circ$



## Insulator

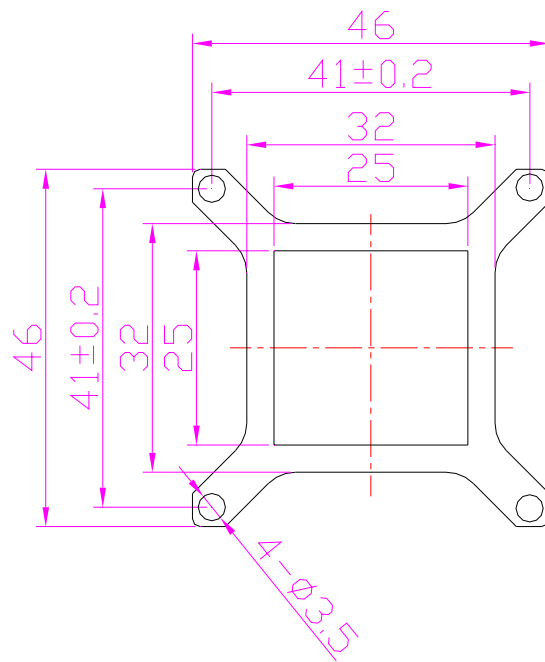
Model No. : D272

Color : Green

Adhesive : Double Sides 3M Adhesive Tape

### Material Characteristics :

Thickness (mm)	Tensile Strength (N/10mm)	Dielectric Strength (KV/mm)
0.2	Cross Section : 100 Axial Section : 120	9.0



General Dimension Tolerances (Unit : mm )			
0	—	30	± 0.2
31	—	60	± 0.3
61	—	100	± 0.4
101	and	Over	± 0.5
Angles			± 2°

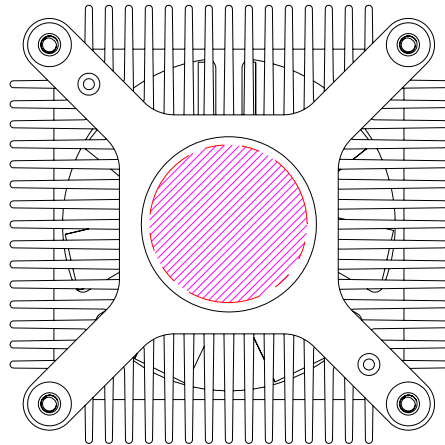


## Interface

SIZE mm:  $\phi$  18mm

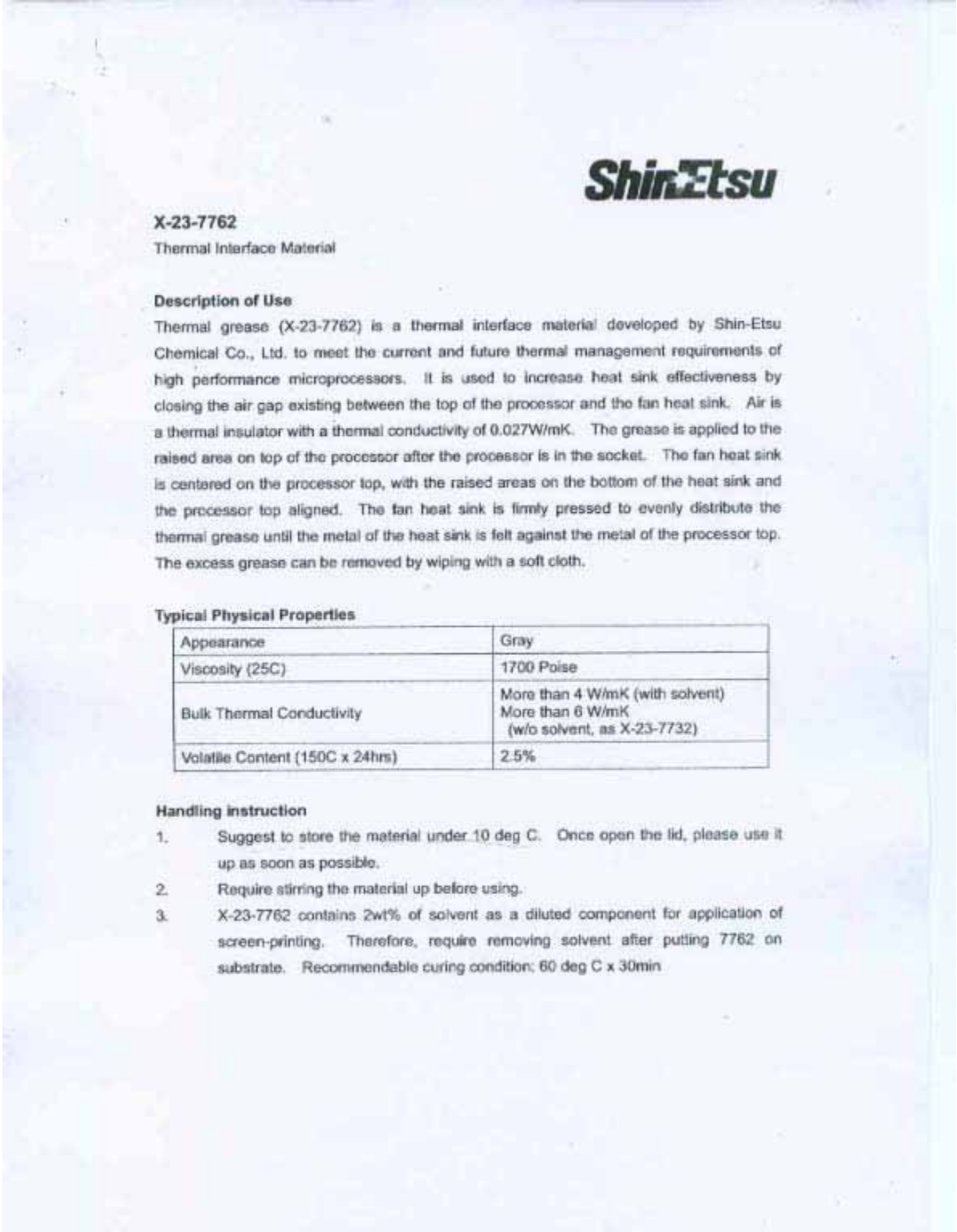
Thickness : 0.1~0.2mm

Specification	Brand
7762	ShinEtsu





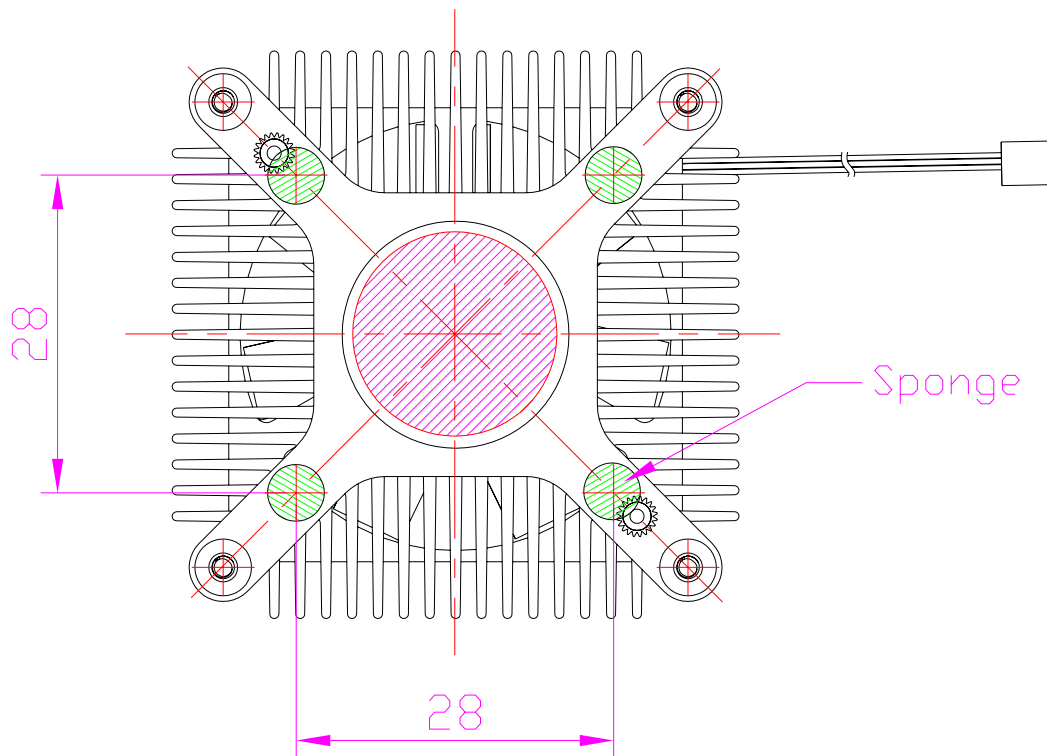
## Interface





## Sponge

**Material : PORON**  
**Color : Black**  
**SIZE mm :  $\phi$  5mm**  
**Thickness :  $1.5 \pm 0.1$ mm**

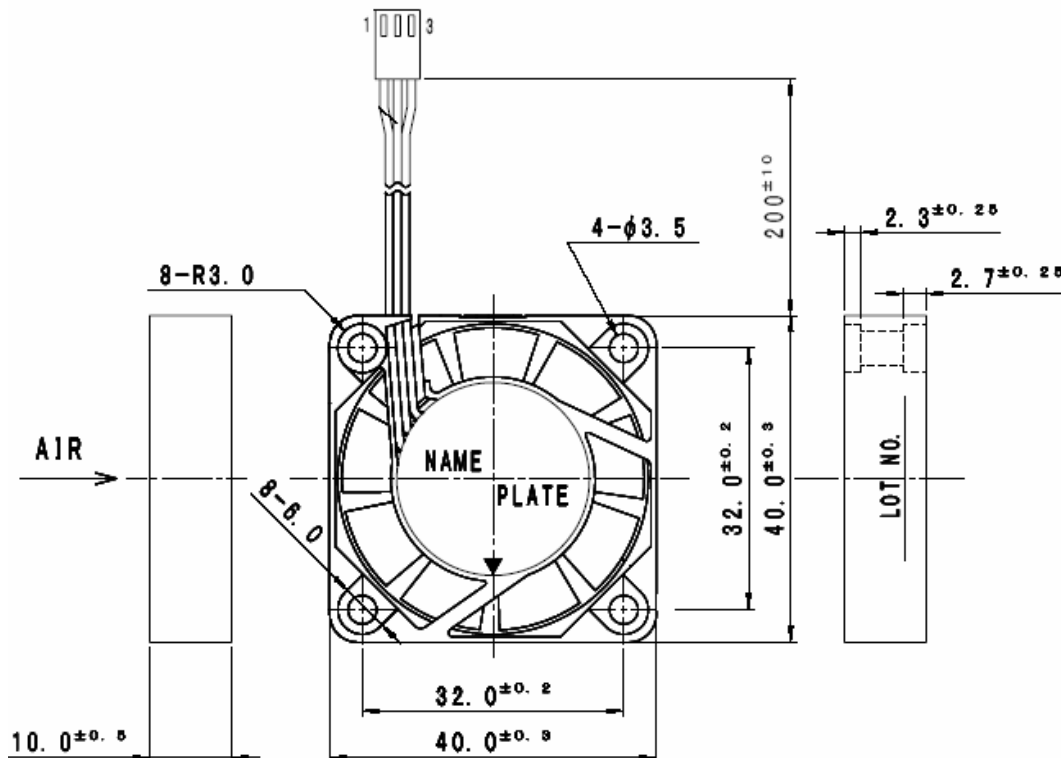




## Fan

### Physical Characteristics :

<b>Specification</b>	<b>NMB Precise ball bearing system</b>
<b>Dimensions</b>	40 x 40 x 10 mm
<b>Rated Speed</b>	5500 RPM
<b>Rated Voltage</b>	12 VDC
<b>Operating Voltage Range</b>	10.2 – 13.8 VDC
<b>Acoustical Noise</b>	25 dB
<b>Air Flow</b>	0.15 m <sup>3</sup> /min (MAX)
<b>Bearing</b>	Two Ball Bearing





**Package**

**Gift Box Size : 87\*87\*59 (mm)**



**Gift Box in carton**

**15 pcs in one layer.**

**Total two layers in one carton 30 pcs / ctn.**



**Carton Size : 461\*283\*147 (mm)**